

Dallmer GmbH + Co. KG
Entwässerungssysteme
Wiebelsheidestraße 25
59757 Arnsberg
Germany

T +49 2932 9616 - 0
F +49 2932 9616 - 222
E info@dallmer.de
W www.dallmer.de

DALLMER

CeraFloor. World premiere from Dallmer





CeraFloor. World premiere from Dallmer

*Simplest cleaning, exclusive design,
and an integrated cross-fall for perfect drainage*

- Focuses on design and quality
- Integrated cross-fall for perfect drainage
- Flush, exposed channel flow guarantees easy cleaning
- Odor trap: collects the dirt, completely removable trap insert for easy cleaning
- Adaptable in length
- Easy installation and waterproofing

Drainage-strip: is fitted entirely above the waterproofing level in the tiling layer

Adaptive sealing sleeve: suitable for bonded waterproofings and waterproofing membranes, tight fit on the drain body with just a click

- Suitable for construction sites: outlet can be positioned variably, separately packed sealing collar for handing over to the tile layer (is not a hindrance when applying the screed, stays clean and free of folds till it is integrated in the surface sealant)
- Engineering Made in Germany

Technical information

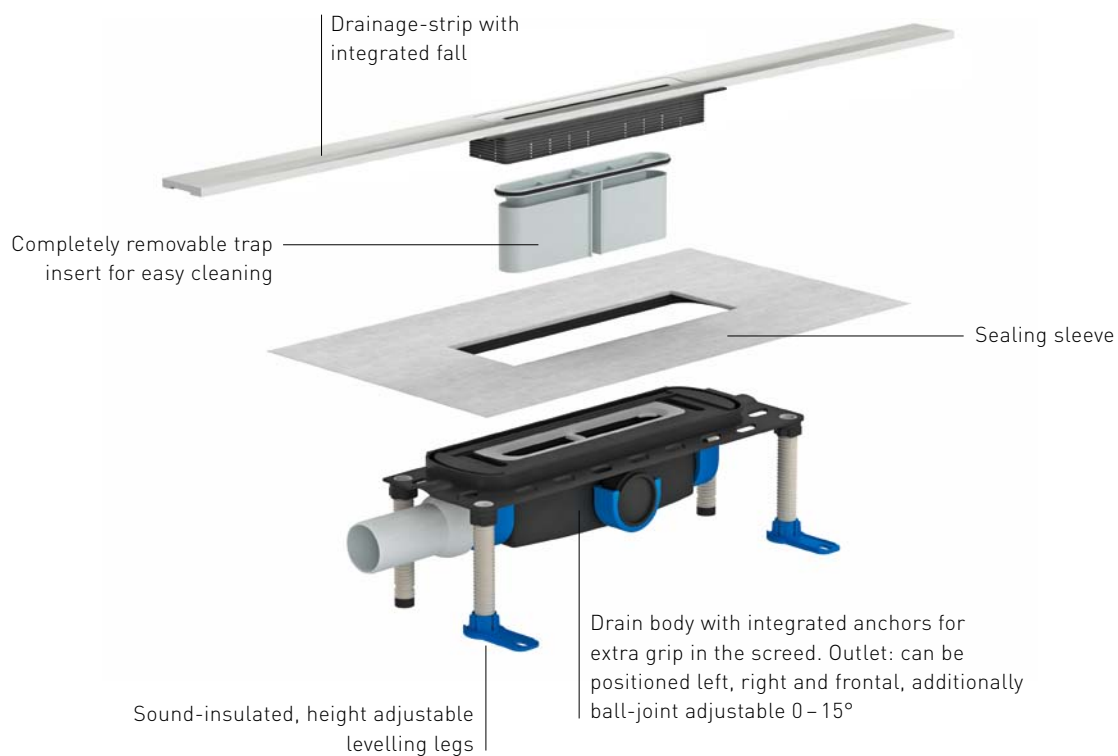
Build-in heights: 90 mm / 65 mm

Water seal heads: 50 mm / 30 mm

Flow rates: 0,8 l/s / 0,4 l/s

Suitable for floor finish of 12 to 32 mm
(including adhesive bed)

Length: 800 – 1500 mm



Material variants

stainless steel, mirror
polished



stainless steel, satin finished

