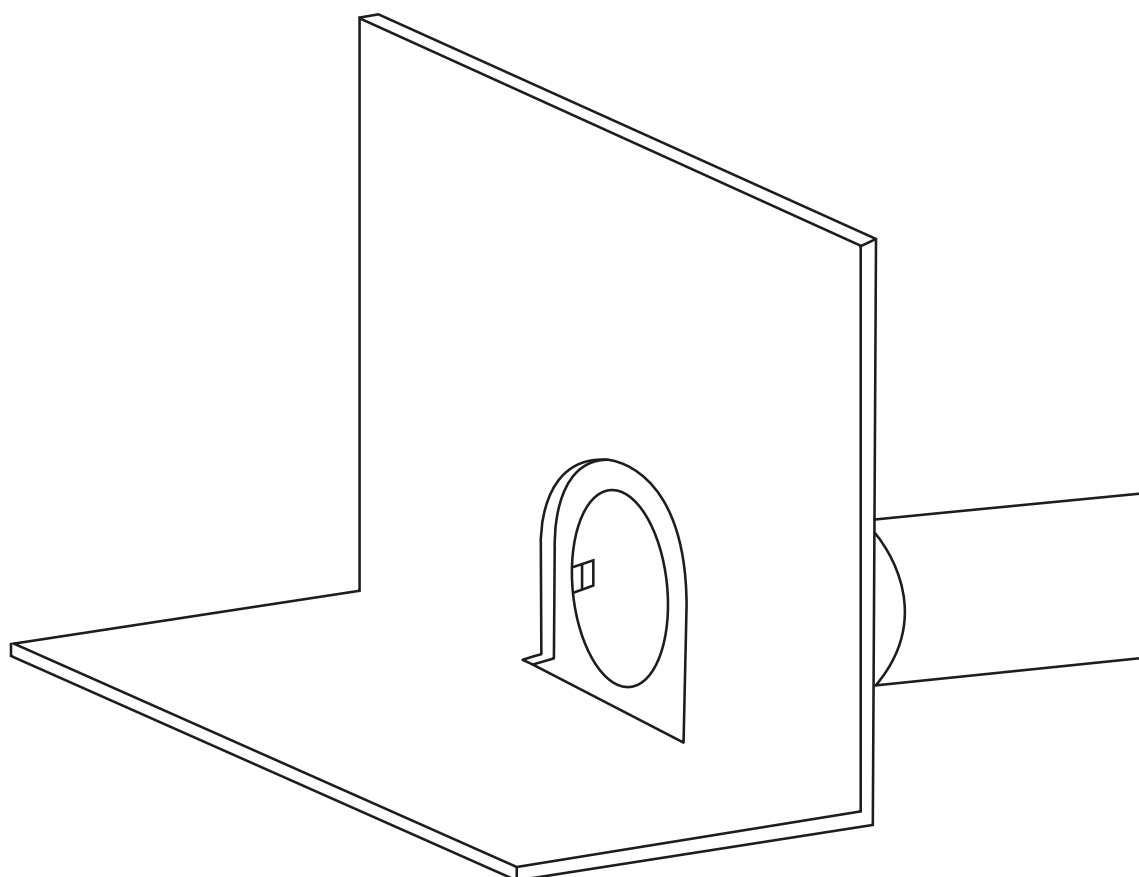
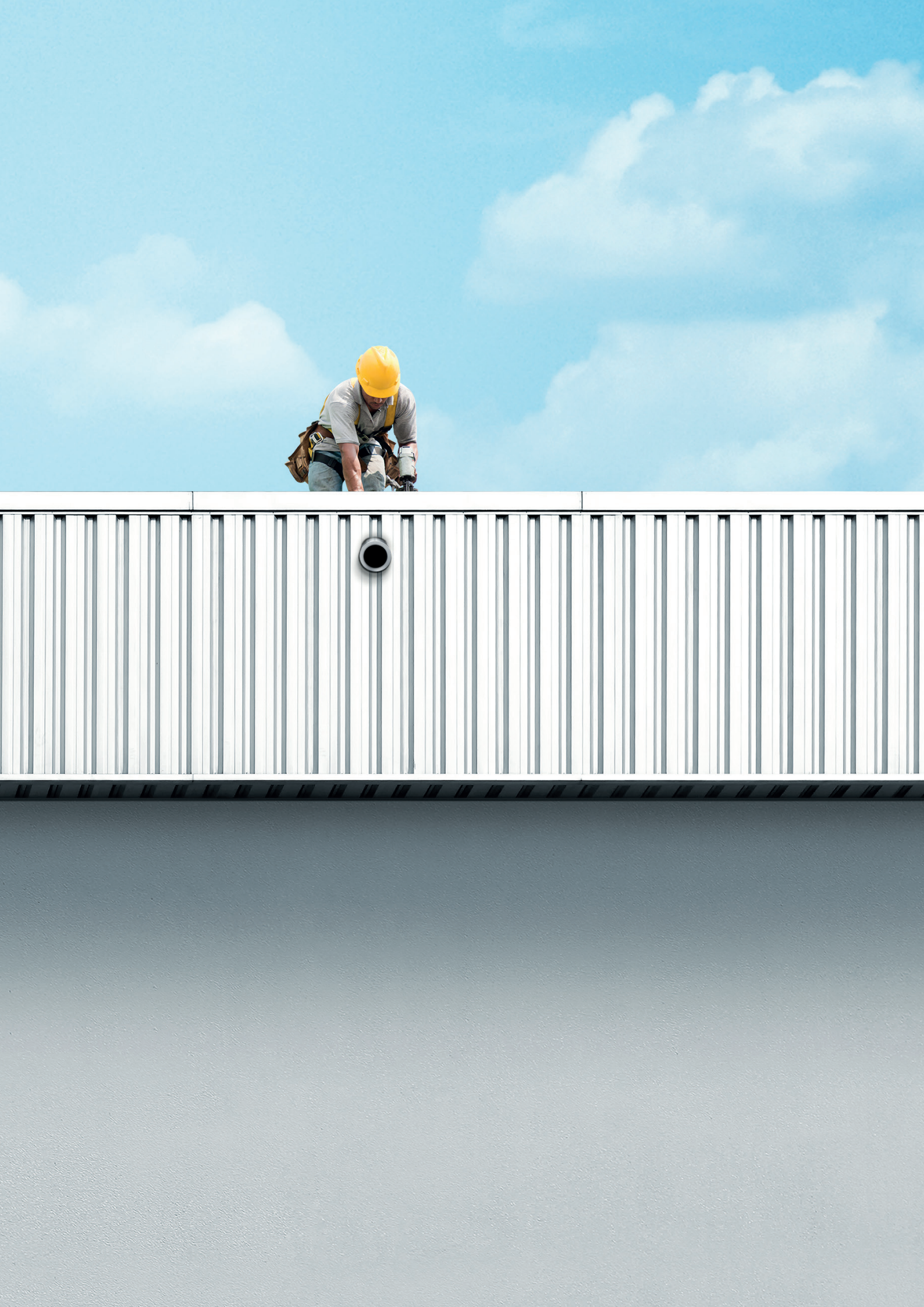


Parapet drains

Roof and overflow drains





Parapet drains – reliable, accessible, easy to install

Keep the rain outside with our horizontal drainage system for flat roofs, balconies and terraces

Parapet drainage runs completely outside the building and allows rainwater to drain without first directing it through the inside of the construction. Parapet drains thus represent a quick and direct solution for directing water away from flat roofs, balconies and terraces. Incidentally, these drains take their name from their special position in the parapet, i.e. in the part of the building wall which projects beyond the area being drained.

Parapet drains are perfectly suitable for all buildings in which internal horizontal drainage is not possible and for retrofitting, given that it is not necessary to intervene in the roof waterproofing to install them.

From Dallmer you can expect solution-based and user-friendly products which blend in harmoniously with your overall architecture.

With three different drains and the corresponding gratings and accessories, the parapet drains from Dallmer can be matched to suit the needs of any installation scenario. They are suitable for installation in roofing and balcony areas which require waterproofing.

In the three different designs they can be connected to asphalt sheeting, PVC and FPO-PP roofing membranes. In the process, the drains can either be connected to the downpipe or used as a downspout. They can be used for both main drainage and overflow drainage.

Alongside drains, the Dallmer parapet drainage range includes domed grates with and without overflow drainage, gratings and drainage elements. These elements are suitable for use for balcony coverings with open joints – for roof and overflow drainage.

Parapet drains excel above all with a high level of reliability – an aspect which will become more and more significant in future due to increasing heavy rainfall events.

Moisture damage to the basic structure of the building can be prevented and the roof or balcony areas are protected from standing water.

External drainage systems also remain more easily accessible and are thus easier to install, maintain and repair.

It is also important to remember the subject of building efficiency, an area in which parapet drains also make an important contribution: given that the water does not drain through the inside of the building and no feed-throughs are required in the waterproofing and heat insulation layer, there is no need for thermal bridges, i.e. areas in which the heat escapes at an above-average rate from the building. Moreover, the rainwater which is drained by downspouts, can be reused – a further benefit for sustainability.

Installation of parapet drains



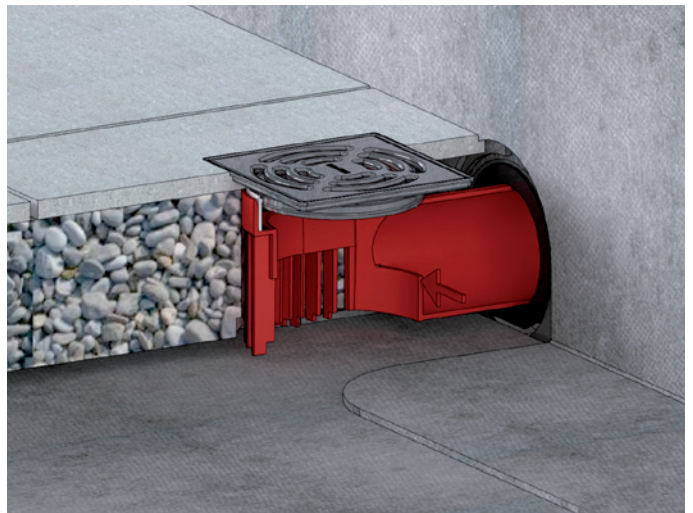
Parapet drain with domed grate for gravel/leaves



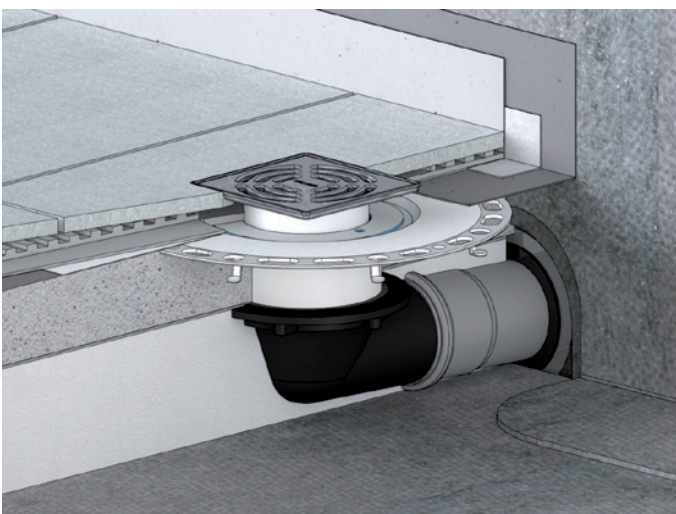
Parapet drain with grating for gravel/leaves, including emergency insert



Parapet drain with drainage element and terrace grating



Parapet drain with overflow drainage element and balcony grating



Parapet drain with balcony drain body 83,
TistoDrain raising piece and balcony grating



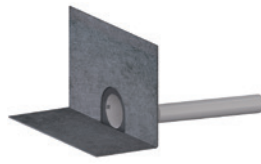
Parapet drain with balcony drain body 83,
CeraDrain raising piece and balcony grating

Note: For the full set of installation instructions visit: www.dallmer.com/montageanleitungen

Overview of parapet drainage

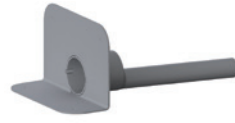
Parapet drains

For installation in flooring and wall surfaces requiring waterproofing



DallBit parapet drain

Nominal width	Art. no.
DN 50	635310
DN 70	635327
DN 100	635341



PVC parapet drain

Nominal width	Art. no.
DN 50	635419
DN 70	635426
DN 100	635433



FPO-PP parapet drain

Nominal width	Art. no.
DN 50	635389
DN 70	635396
DN 100	635402

Overview of balcony and terrace drainage

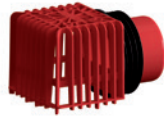
Accessories

Suitable for parapet drains



Parapet domed grate
Dimensions: 92 x 114 mm

Product no. 635440



Parapet domed grate with overflow drainage
Dimensions: 92 x 114 mm

Product no. 635457



Drainage element for parapet drains
Dimension d: 110 mm

Product no. 635464



Overflow drainage element for parapet drains
Dimension d: 110 mm

Product no. 635471

Gratings

Suitable for balcony drain bodies and drainage elements for parapet drains



E 10 grating
Stainless steel grating,
Plastic frame
Dimension 100 x 100 mm
Product no. 510006

ECN 10 grating
Stainless steel grating and
frame, screw connection
Dimension 100 x 100 mm
Product no. 510082



KE 10 grating
Stainless steel grating,
Plastic frame
Dimension 150 x 150 mm
Product no. 510051

KEN 10 grating
Stainless steel grating, screw
connection
Plastic frame
Dimension 150 x 150 mm
Product no. 510099



KR 10 grating
With two-piece plastic grating
for connection of downpipes
with d: 50-75 mm
Dimension 150 x 150 mm
Product no. 510068



SEC 10 grating
Stainless steel grating and frame
Dimension 150 x 150 mm
Product no. 510105

SEN 10 grating
Stainless steel grating and
frame, screw connection
Dimension 150 x 150 mm
Product no. 510136

SES 10 grating
Stainless steel frame, stainless
steel grating, solid 5 mm, screw
connection
Dimension 150 x 150 mm
Product no. 510143

Balcony and terrace drains

DALLMER attic drain DallBit

drain with angled fixed flange for drainage through the parapet; with factory-fitted collar of 5.0 mm modified bitumen membrane, welded to the flange

SPECIFICATION

- side outlet, 3 degrees
- stainless steel flame protection

MATERIAL

polypropylene, UV-stabilized

DRAINAGE RATES (DIFFERENT FROM DIN EN 1253) MEASURED WITH FREE DRAINAGE (DOWNPOUT) WITH PARAPET DOMED GRATE IN L/S AT WATER OVER GRATE OF 5 – 75 MM

NENNWEITE	DIN EN 1253	5 MM	15 MM	25 MM	35 MM	45 MM	55 MM	65 MM	75 MM
DN 50	0,9 (35 mm)	≤ 0,2	≤ 0,2	0,57	0,88	1,20	1,38	1,46	1,72
DN 70	1,7 (35 mm)	≤ 0,2	≤ 0,2	0,34	0,61	0,88	1,16	1,61	2,0
DN 100	4,5 (35 mm)	≤ 0,2	0,22	0,42	0,71	1,05	1,38	1,8	2,2

DRAINAGE RATES (DIFFERENT FROM DIN EN 1253) MEASURED FROM 35 MM ABOVE FLANGE WITH FREE DRAINAGE WITH PARAPET DOMED GRATE WITH OVERFLOW DRAINAGE IN L/S AT WATER OVER GRATE OF 5 – 75 MM

NENNWEITE	DIN EN 1253	5 MM	15 MM	25 MM	35 MM	45 MM	55 MM	65 MM	75 MM
DN 50	0,9 (35 mm)	≤ 0,2	0,33	0,57	0,86	1,06	1,14	1,22	1,31
DN 70	1,7 (35 mm)	≤ 0,2	0,33	0,57	0,88	1,2	1,38	1,46	1,72
DN 100	4,5 (35 mm)	≤ 0,2	0,32	0,55	0,83	1,1	1,30	1,48	1,65

DRAINAGE RATES (DIFFERENT FROM DIN EN 1253) MEASURED WITH PARAPET DOMED GRATE AND CONNECTED DOWNPIPE = 4.2 M IN L/S AT WATER OVER GRATE 5 – 75 MM

NENNWEITE	DIN EN 1253	5 MM	15 MM	25 MM	35 MM	45 MM	55 MM	65 MM	75 MM
DN 50	0,9 (35 mm)	≤ 0,2	≤ 0,2	0,27	0,44	0,71	1,41	1,84	2,35
DN 70	1,7 (35 mm)	≤ 0,2	0,21	0,41	0,71	1,00	1,37	1,73	2,17
DN 100	4,5 (35 mm)	≤ 0,2	0,23	0,46	0,71	1,10	1,42	1,80	2,3

DRAINAGE RATES (DIFFERENT FROM DIN EN 1253) MEASURED FROM 35 MM ABOVE FLANGE WITH PARAPET DOMED GRATE WITH OVERFLOW DRAINAGE AND CONNECTED DOWNPIPE = 4.2 M IN L/S AT WATER OVER GRATE OF 5 – 75 MM

NENNWEITE	DIN EN 1253	5 MM	15 MM	25 MM	35 MM	45 MM	55 MM	65 MM	75 MM
DN 50	0,9 (35 mm)	≤ 0,2	0,35	0,60	0,88	1,72	3,09	4,01	5,91
DN 70	1,7 (35 mm)	≤ 0,2	0,32	0,59	0,88	1,25	2,78	4,14	6,21
DN 100	4,5 (35 mm)	≤ 0,2	0,31	0,62	0,90	1,28	1,53	1,70	1,88

DRAINAGE RATES (DIFFERENT FROM DIN EN 1253) MEASURED WITH FREE DRAINAGE (DOWNPOUT) WITH DRAINAGE ELEMENT FOR PARAPET DRAINS IN L/S AT WATER OVER GRATE OF 5 – 75 MM

NENNWEITE	DIN EN 1253	5 MM	15 MM	25 MM	35 MM	45 MM	55 MM	65 MM	70 MM
DN 50	0,9 (35 mm)	0,22	1,14	1,65	1,72	1,82	1,90	1,95	2,00
DN 70	1,7 (35 mm)	0,38	1,37	2,33	3,07	3,21	3,42	3,58	3,58
DN 100	4,5 (35 mm)	0,31	1,21	2,26	2,82	3,05	3,25	3,25	3,25

DRAINAGE RATES (DIFFERENT FROM DIN EN 1253) MEASURED FROM 35 MM ABOVE FLANGE WITH FREE DRAINAGE WITH OVERFLOW DRAINAGE ELEMENT FOR PARAPET DRAINS IN L/S AT WATER OVER GRATE OF 5 – 65 MM

NENNWEITE	DIN EN 1253	5 MM	15 MM	25 MM	35 MM	45 MM	55 MM	65 MM	70 MM
DN 50	0,9 (35 mm)	0,25	1,10	1,52	1,67	1,73	1,80	1,85	1,90
DN 70	1,7 (35 mm)	0,31	1,22	1,78	1,89	2,04	2,19	2,28	2,28
DN 100	4,5 (35 mm)	0,41	1,33	1,82	1,97	2,05	2,18	2,18	2,18

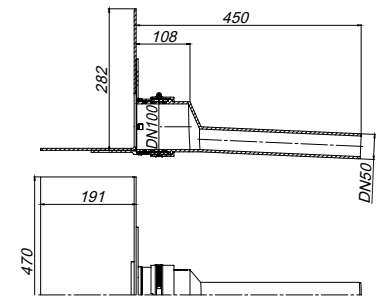
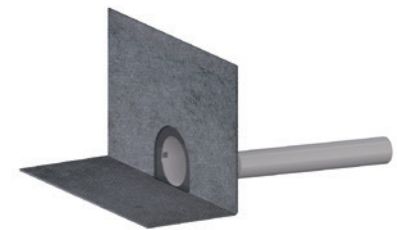
DRAINAGE RATES (DIFFERENT FROM DIN EN 1253) MEASURED WITH DRAINAGE ELEMENT FOR PARAPET DRAINS AND CONNECTED DOWNPIPE = 4.2 M IN L/S AT WATER OVER GRATE 5 – 75 MM

NENNWEITE	DIN EN 1253	5 MM	15 MM	25 MM	35 MM	45 MM	55 MM	65 MM	70 MM
DN 50	0,9 (35 mm)	0,42	1,49	2,91	4,83	7,04	7,04	7,04	7,04
DN 70	1,7 (35 mm)	0,46	1,48	3,00	5,00	6,03	9,33	9,33	9,33
DN 100	4,5 (35 mm)	0,32	1,38	2,65	3,45	3,58	3,58	3,58	3,58

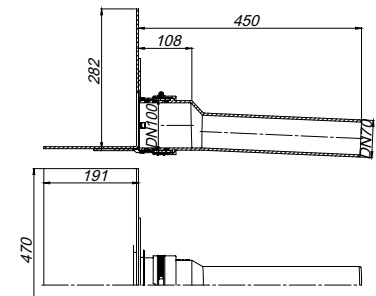
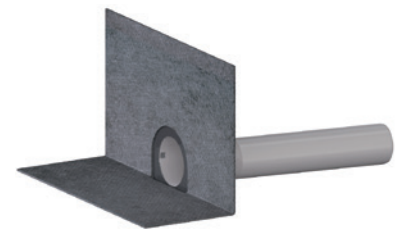
DRAINAGE RATES (DIFFERENT FROM DIN EN 1253) MEASURED FROM 35 MM ABOVE FLANGE WITH OVERFLOW DRAINAGE ELEMENT FOR PARAPET DRAINS AND CONNECTED DOWNPIPE = 4.2 M IN L/S AT WATER OVER GRATE OF 5 – 65 MM

NENNWEITE	DIN EN 1253	5 MM	15 MM	25 MM	35 MM	45 MM	55 MM	65 MM	70 MM
DN 50	0,9 (35 mm)	0,21	0,69	2,22	4,00	6,18	6,18	6,18	6,18
DN 70	1,7 (35 mm)	0,34	1,41	2,68	4,58	6,57	9,15	9,15	9,15
DN 100	4,5 (35 mm)	0,25	1,31	1,98	2,15	2,35	2,35	2,35	2,35

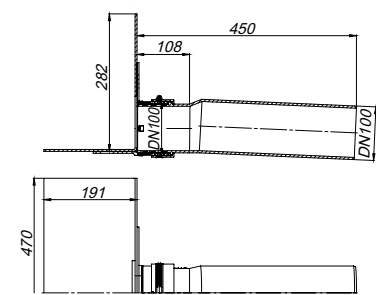
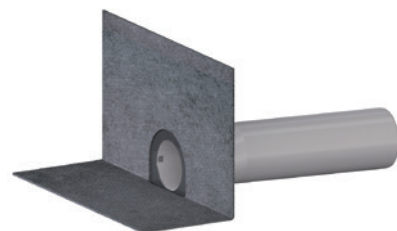
PRODUCT	NOMINAL WIDTH	ARTICLE NO
Attic drain DallBit	DN 50	635310
Attic drain DallBit	DN 70	635327
Attic drain DallBit	DN 100	635341



Attic drain DallBit DN 50



Attic drain DallBit DN 70



Attic drain DallBit DN 100

Balcony and terrace drains

DALLMER attic drain PVC

drain with angled fixed flange for drainage through the parapet; moulded in PVC with extra wide flange for welding PVC membranes directly

SPECIFICATION

– side outlet, 3 degrees

MATERIAL

PVC

DRAINAGE RATES (DIFFERENT FROM DIN EN 1253) MEASURED WITH FREE DRAINAGE (DOWNSPOUT) WITH PARAPET DOMED GRATE IN L/S AT WATER OVER GRATE OF 5 – 75 MM

NENNWEITE	DIN EN 1253	5 MM	15 MM	25 MM	35 MM	45 MM	55 MM	65 MM	75 MM
DN 50	0,9 (35 mm)	≤ 0,2	≤ 0,2	0,57	0,88	1,20	1,38	1,46	1,72
DN 70	1,7 (35 mm)	≤ 0,2	≤ 0,2	0,34	0,61	0,88	1,16	1,61	2,0
DN 100	4,5 (35 mm)	≤ 0,2	0,22	0,42	0,71	1,05	1,38	1,8	2,2

DRAINAGE RATES (DIFFERENT FROM DIN EN 1253) MEASURED FROM 35 MM ABOVE FLANGE WITH FREE DRAINAGE WITH PARAPET DOMED GRATE WITH OVERFLOW DRAINAGE IN L/S AT WATER OVER GRATE OF 5 – 75 MM

NENNWEITE	DIN EN 1253	5 MM	15 MM	25 MM	35 MM	45 MM	55 MM	65 MM	75 MM
DN 50	0,9 (35 mm)	≤ 0,2	0,33	0,57	0,86	1,06	1,14	1,22	1,31
DN 70	1,7 (35 mm)	≤ 0,2	0,33	0,57	0,88	1,2	1,38	1,46	1,72
DN 100	4,5 (35 mm)	≤ 0,2	0,32	0,55	0,83	1,1	1,30	1,48	1,65

DRAINAGE RATES (DIFFERENT FROM DIN EN 1253) MEASURED WITH PARAPET DOMED GRATE AND CONNECTED DOWNPIPE = 4.2 M IN L/S AT WATER OVER GRATE 5 – 75 MM

NENNWEITE	DIN EN 1253	5 MM	15 MM	25 MM	35 MM	45 MM	55 MM	65 MM	75 MM
DN 50	0,9 (35 mm)	≤ 0,2	≤ 0,2	0,27	0,44	0,71	1,41	1,84	2,35
DN 70	1,7 (35 mm)	≤ 0,2	0,21	0,41	0,71	1,00	1,37	1,73	2,17
DN 100	4,5 (35 mm)	≤ 0,2	0,23	0,46	0,71	1,10	1,42	1,80	2,3

DRAINAGE RATES (DIFFERENT FROM DIN EN 1253) MEASURED FROM 35 MM ABOVE FLANGE WITH PARAPET DOMED GRATE WITH OVERFLOW DRAINAGE AND CONNECTED DOWNPIPE = 4.2 M IN L/S AT WATER OVER GRATE OF 5 – 75 MM

NENNWEITE	DIN EN 1253	5 MM	15 MM	25 MM	35 MM	45 MM	55 MM	65 MM	75 MM
DN 50	0,9 (35 mm)	≤ 0,2	0,35	0,60	0,88	1,72	3,09	4,01	5,91
DN 70	1,7 (35 mm)	≤ 0,2	0,32	0,59	0,88	1,25	2,78	4,14	6,21
DN 100	4,5 (35 mm)	≤ 0,2	0,31	0,62	0,90	1,28	1,53	1,70	1,88

DRAINAGE RATES (DIFFERENT FROM DIN EN 1253) MEASURED WITH FREE DRAINAGE (DOWNSPOUT) WITH DRAINAGE ELEMENT FOR PARAPET DRAINS IN L/S AT WATER OVER GRATE OF 5 – 75 MM

NENNWEITE	DIN EN 1253	5 MM	15 MM	25 MM	35 MM	45 MM	55 MM	65 MM	70 MM
DN 50	0,9 (35 mm)	0,22	1,14	1,65	1,72	1,82	1,90	1,95	2,00
DN 70	1,7 (35 mm)	0,38	1,37	2,33	3,07	3,21	3,42	3,58	3,58
DN 100	4,5 (35 mm)	0,31	1,21	2,26	2,82	3,05	3,25	3,25	3,25

DRAINAGE RATES (DIFFERENT FROM DIN EN 1253) MEASURED FROM 35 MM ABOVE FLANGE WITH FREE DRAINAGE WITH OVERFLOW DRAINAGE ELEMENT FOR PARAPET DRAINS IN L/S AT WATER OVER GRATE OF 5 – 65 MM

NENNWEITE	DIN EN 1253	5 MM	15 MM	25 MM	35 MM	45 MM	55 MM	65 MM	70 MM
DN 50	0,9 (35 mm)	0,25	1,10	1,52	1,67	1,73	1,80	1,85	1,90
DN 70	1,7 (35 mm)	0,31	1,22	1,78	1,89	2,04	2,19	2,28	2,28
DN 100	4,5 (35 mm)	0,41	1,33	1,82	1,97	2,05	2,18	2,18	2,18

DRAINAGE RATES (DIFFERENT FROM DIN EN 1253) MEASURED WITH DRAINAGE ELEMENT FOR PARAPET DRAINS AND CONNECTED DOWNPIPE = 4.2 M IN L/S AT WATER OVER GRATE 5 – 75 MM

NENNWEITE	DIN EN 1253	5 MM	15 MM	25 MM	35 MM	45 MM	55 MM	65 MM	70 MM
DN 50	0,9 (35 mm)	0,42	1,49	2,91	4,83	7,04	7,04	7,04	7,04
DN 70	1,7 (35 mm)	0,46	1,48	3,00	5,00	6,03	9,33	9,33	9,33
DN 100	4,5 (35 mm)	0,32	1,38	2,65	3,45	3,58	3,58	3,58	3,58

DRAINAGE RATES (DIFFERENT FROM DIN EN 1253) MEASURED FROM 35 MM ABOVE FLANGE WITH OVERFLOW DRAINAGE ELEMENT FOR PARAPET DRAINS AND CONNECTED DOWNPIPE = 4.2 M IN L/S AT WATER OVER GRATE OF 5 – 65 MM

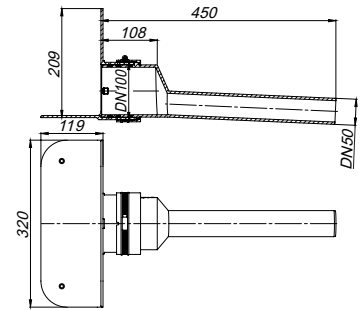
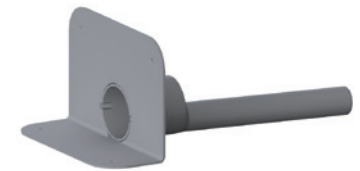
NENNWEITE	DIN EN 1253	5 MM	15 MM	25 MM	35 MM	45 MM	55 MM	65 MM	70 MM
DN 50	0,9 (35 mm)	0,21	0,69	2,22	4,00	6,18	6,18	6,18	6,18
DN 70	1,7 (35 mm)	0,34	1,41	2,68	4,58	6,57	9,15	9,15	9,15
DN 100	4,5 (35 mm)	0,25	1,31	1,98	2,15	2,35	2,35	2,35	2,35

PRODUCT

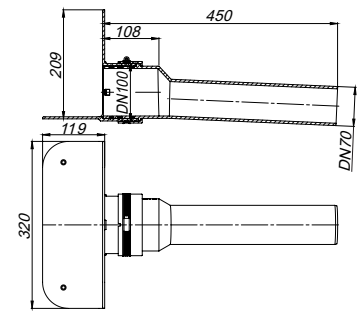
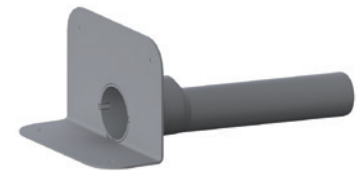
NOMINAL WIDTH

ARTICLE NO

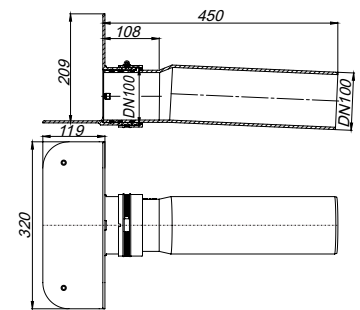
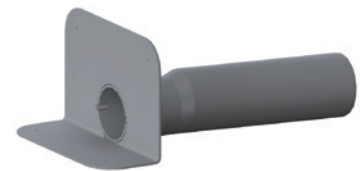
Attic drain PVC	DN 50	635419
Attic drain PVC	DN 70	635426
Attic drain PVC	DN 100	635433



Attic drain PVC DN 50



Attic drain PVC DN 70



Attic drain PVC DN 100

Balcony and terrace drains

DALLMER attic drain FPO-PP

drain with angled fixed flange for drainage through the parapet;
moulded in PP with extra wide flange for welding FPO-PP membranes directly

SPECIFICATION

– side outlet, 3 degrees

MATERIAL

polypropylene, UV-stabilized

DRAINAGE RATES (DIFFERENT FROM DIN EN 1253) MEASURED WITH FREE DRAINAGE (DOWNSPOUT) WITH PARAPET DOMED GRATE IN L/S AT WATER OVER GRATE OF 5 – 75 MM

NENNWEITE	DIN EN 1253	5 MM	15 MM	25 MM	35 MM	45 MM	55 MM	65 MM	75 MM
DN 50	0,9 (35 mm)	≤ 0,2	≤ 0,2	0,57	0,88	1,20	1,38	1,46	1,72
DN 70	1,7 (35 mm)	≤ 0,2	≤ 0,2	0,34	0,61	0,88	1,16	1,61	2,0
DN 100	4,5 (35 mm)	≤ 0,2	0,22	0,42	0,71	1,05	1,38	1,8	2,2

DRAINAGE RATES (DIFFERENT FROM DIN EN 1253) MEASURED FROM 35 MM ABOVE FLANGE WITH FREE DRAINAGE WITH PARAPET DOMED GRATE WITH OVERFLOW DRAINAGE IN L/S AT WATER OVER GRATE OF 5 – 75 MM

NENNWEITE	DIN EN 1253	5 MM	15 MM	25 MM	35 MM	45 MM	55 MM	65 MM	75 MM
DN 50	0,9 (35 mm)	≤ 0,2	0,33	0,57	0,86	1,06	1,14	1,22	1,31
DN 70	1,7 (35 mm)	≤ 0,2	0,33	0,57	0,88	1,2	1,38	1,46	1,72
DN 100	4,5 (35 mm)	≤ 0,2	0,32	0,55	0,83	1,1	1,30	1,48	1,65

DRAINAGE RATES (DIFFERENT FROM DIN EN 1253) MEASURED WITH PARAPET DOMED GRATE AND CONNECTED DOWNPIPE = 4.2 M IN L/S AT WATER OVER GRATE 5 – 75 MM

NENNWEITE	DIN EN 1253	5 MM	15 MM	25 MM	35 MM	45 MM	55 MM	65 MM	75 MM
DN 50	0,9 (35 mm)	≤ 0,2	≤ 0,2	0,27	0,44	0,71	1,41	1,84	2,35
DN 70	1,7 (35 mm)	≤ 0,2	0,21	0,41	0,71	1,00	1,37	1,73	2,17
DN 100	4,5 (35 mm)	≤ 0,2	0,23	0,46	0,71	1,10	1,42	1,80	2,3

DRAINAGE RATES (DIFFERENT FROM DIN EN 1253) MEASURED FROM 35 MM ABOVE FLANGE WITH PARAPET DOMED GRATE WITH OVERFLOW DRAINAGE AND CONNECTED DOWNPIPE = 4.2 M IN L/S AT WATER OVER GRATE OF 5 – 75 MM

NENNWEITE	DIN EN 1253	5 MM	15 MM	25 MM	35 MM	45 MM	55 MM	65 MM	75 MM
DN 50	0,9 (35 mm)	≤ 0,2	0,35	0,60	0,88	1,72	3,09	4,01	5,91
DN 70	1,7 (35 mm)	≤ 0,2	0,32	0,59	0,88	1,25	2,78	4,14	6,21
DN 100	4,5 (35 mm)	≤ 0,2	0,31	0,62	0,90	1,28	1,53	1,70	1,88

DRAINAGE RATES (DIFFERENT FROM DIN EN 1253) MEASURED WITH FREE DRAINAGE (DOWNSPOUT) WITH DRAINAGE ELEMENT FOR PARAPET DRAINS IN L/S AT WATER OVER GRATE OF 5 – 75 MM

NENNWEITE	DIN EN 1253	5 MM	15 MM	25 MM	35 MM	45 MM	55 MM	65 MM	70 MM
DN 50	0,9 (35 mm)	0,22	1,14	1,65	1,72	1,82	1,90	1,95	2,00
DN 70	1,7 (35 mm)	0,38	1,37	2,33	3,07	3,21	3,42	3,58	3,58
DN 100	4,5 (35 mm)	0,31	1,21	2,26	2,82	3,05	3,25	3,25	3,25

DRAINAGE RATES (DIFFERENT FROM DIN EN 1253) MEASURED FROM 35 MM ABOVE FLANGE WITH FREE DRAINAGE WITH OVERFLOW DRAINAGE ELEMENT FOR PARAPET DRAINS IN L/S AT WATER OVER GRATE OF 5 – 65 MM

NENNWEITE	DIN EN 1253	5 MM	15 MM	25 MM	35 MM	45 MM	55 MM	65 MM	70 MM
DN 50	0,9 (35 mm)	0,25	1,10	1,52	1,67	1,73	1,80	1,85	1,90
DN 70	1,7 (35 mm)	0,31	1,22	1,78	1,89	2,04	2,19	2,28	2,28
DN 100	4,5 (35 mm)	0,41	1,33	1,82	1,97	2,05	2,18	2,18	2,18

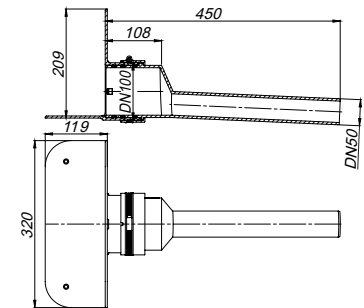
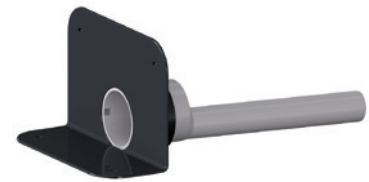
DRAINAGE RATES (DIFFERENT FROM DIN EN 1253) MEASURED WITH DRAINAGE ELEMENT FOR PARAPET DRAINS AND CONNECTED DOWNPIPE = 4.2 M IN L/S AT WATER OVER GRATE 5 – 75 MM

NENNWEITE	DIN EN 1253	5 MM	15 MM	25 MM	35 MM	45 MM	55 MM	65 MM	70 MM
DN 50	0,9 (35 mm)	0,42	1,49	2,91	4,83	7,04	7,04	7,04	7,04
DN 70	1,7 (35 mm)	0,46	1,48	3,00	5,00	6,03	9,33	9,33	9,33
DN 100	4,5 (35 mm)	0,32	1,38	2,65	3,45	3,58	3,58	3,58	3,58

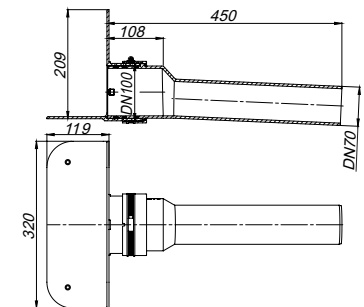
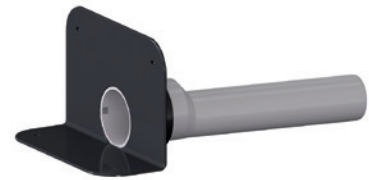
DRAINAGE RATES (DIFFERENT FROM DIN EN 1253) MEASURED FROM 35 MM ABOVE FLANGE WITH OVERFLOW DRAINAGE ELEMENT FOR PARAPET DRAINS AND CONNECTED DOWNPIPE = 4.2 M IN L/S AT WATER OVER GRATE OF 5 – 65 MM

NENNWEITE	DIN EN 1253	5 MM	15 MM	25 MM	35 MM	45 MM	55 MM	65 MM	70 MM
DN 50	0,9 (35 mm)	0,21	0,69	2,22	4,00	6,18	6,18	6,18	6,18
DN 70	1,7 (35 mm)	0,34	1,41	2,68	4,58	6,57	9,15	9,15	9,15
DN 100	4,5 (35 mm)	0,25	1,31	1,98	2,15	2,35	2,35	2,35	2,35

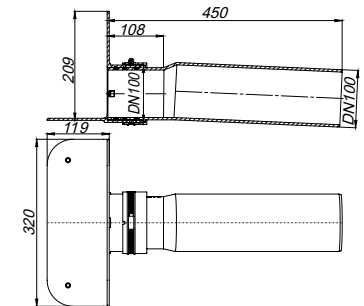
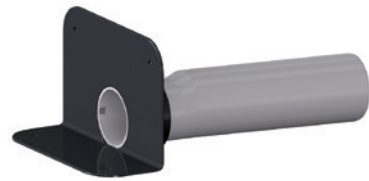
PRODUCT	NOMINAL WIDTH	ARTICLE NO
Attic drain FPO-PP	DN 50	635389
Attic drain FPO-PP	DN 70	635396
Attic drain FPO-PP	DN 100	635402



Attic drain FPO-PP DN 50



Attic drain FPO-PP DN 70



Attic drain FPO-PP DN 100

Balcony and terrace drains

DALLMER attic gravel guard

for use with attic drains DallBit, PVC and FPO-PP

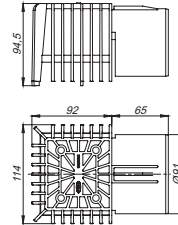
MATERIAL

polypropylene, UV-stabilized

PRODUCT	DIMENSIONS	ARTICLE NO
Attic gravel guard	92 x 114 mm	635440



Attic gravel guard



DALLMER attic gravel guard with emergency drainage

for use with attic drains DallBit, PVC and FPO-PP, back-up height 35 mm

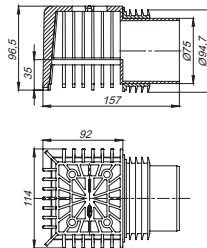
MATERIAL

polypropylene, UV-stabilized

PRODUCT	DIMENSIONS	ARTICLE NO
Attic gravel guard with emergency drainage	92 x 114 mm	635457



Attic gravel guard with emergency drainage



DALLMER drainage element for attic drains

for use with attic drains DallBit, PVC and FPO-PP in combination with gratings for balcony and terrace drainage

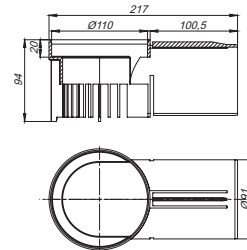
MATERIAL

polypropylene, UV-stabilized

PRODUCT	DIMENSIONS	ARTICLE NO
Drainage element for attic drains	d: 110 mm	635464



Drainage element for attic drains



DALLMER emergency drainage element for attic drains

for use with attic drains DallBit, PVC and FPO-PP in combination with gratings for balcony and terrace drainage, damming height 35 mm

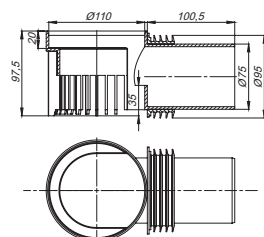
MATERIAL

polypropylene, UV-stabilized

PRODUCT	DIMENSIONS	ARTICLE NO
Emergency drainage element for attic drains	d: 110 mm	635471



Emergency drainage element for attic drains



Balcony and terrace drains

DALLMER gratings SEC 10, SEN 10, SES 10

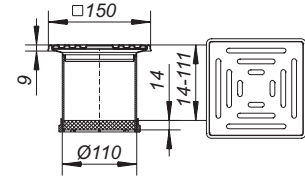
used with floor drain bodies types 40, 42 and 46, with balcony drain bodies types 83 and 84, drainage elements for attic drains as well as type 85 raising piece, spigot ABS, extendable with DN 100 plastic pipe, frame 304 stainless steel, 150 x 150 mm

- ▶ **Grating SEC 10**
Grate 304 stainless steel, load class K 3 (300 kg)
- ▶ **Grating SEN 10, secured grate**
Grate 304 stainless steel, secured, load class K 3 (300 kg)
- ▶ **Grating SES 10 massive grate secured**
Grate 5 mm 316 stainless steel, secured, load class L 15 (1.5 t)

PRODUCT	DIMENSIONS	ARTICLE NO
Grating SEC 10	150 x 150 mm	510105
Grating SEN 10 secured grate	150 x 150 mm	510136
Grating SES 10, massive grate, secured	150 x 150 mm	510143



Grating SEC 10



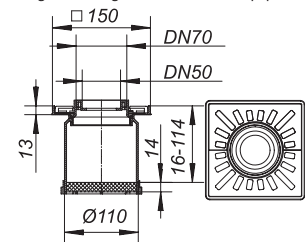
DALLMER grating KR 10

used with floor drain bodies types 40, 42 and 46, with balcony drain bodies types 83 and 84, drainage elements for attic drains as well as type 85 raising piece, spigot polypropylene, extendable with DN 100 plastic pipe, two parts with insert for plastic down pipes 50 – 75 mm, frame polypropylene, 150 x 150 mm, grate polypropylene

PRODUCT	DIMENSIONS	ARTICLE NO
Grating KR 10, grate with down pipe insert	150 x 150 mm	510068



Grating KR 10, grate with down pipe insert



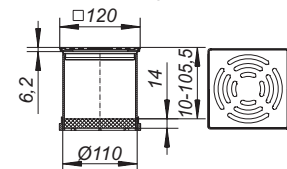
Grating E 12, EN 12

used with floor drain bodies types 40, 42 and 46, with balcony drain bodies types 83 and 84, drainage elements for attic drains as well as type 85 raising piece, spigot ABS, extendable with DN 100 plastic pipe, frame 304 stainless steel, 120 x 120 mm, grate 304 stainless steel, load class K 3 (300 kg)

PRODUCT	DIMENSIONS	ARTICLE NO
Grating E 12	120 x 120 mm	510310
Grating EN 12, secured grate	120 x 120 mm	510327



Grating E 12



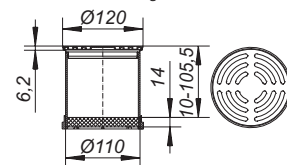
DALLMER grating ER 12

used with floor drain bodies types 40, 42 and 46, with balcony drain bodies types 83 and 84, drainage elements for attic drains as well as type 85 raising piece, spigot ABS, extendable with DN 100 plastic pipe, frame 304 stainless steel, d: 120 mm, grate 304 stainless steel, load class K 3 (300 kg)

PRODUCT	DIMENSIONS	ARTICLE NO
Grating ER 12	d: 120 mm	510334



Grating ER 12



Dallmer GmbH + Co. KG
Wiebelsheidestraße 25
59757 Arnsberg
Germany

T +49 2932 9616 -0
F +49 2932 9616 -222
E info@dallmer.de
W www.dallmer.com