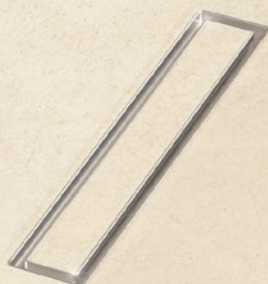


DALLMER

Drainage by design.
Since 1913

09/2023



Shower channel
CeraFrame Liquid

01	Introduction	Page 04
02	CeraFrame Liquid shower channel	Page 07
03	Drain bodies	Page 15
04	Product range	Page 19
05	Service	Page 26



"We are an innovative company – but we're also one big family."

Harry Bauermeister,
Managing Director

The Dallmer family business is now in its fourth generation. And even if over the decades times have changed drastically, and along with it the production processes, one thing has remained the same: All Dallmer products are developed, designed and manufactured using state-of-the-art technology in Germany – more specifically, in Arnsberg. The "Made in Germany" seal of quality applies without reservations.

Investing in the future. Dallmer does not only invest money in state-of-the-art machine technology, but also in training and further education for its employees. This ensures that there is specialist know-how at the location.

Bringing together strengths. In order to produce drainage solutions which set standards, you need a genuine innovative spirit and a high degree of experience – and state-of-the-art technology.

Every detail counts. Quality is our top priority. If we all work towards this same goal, we are capable of meeting even the highest demands.



Headquarters in
Arnsberg

Production and
storage rooms



1913

02

CeraFrame Liquid
shower channel

Page 07

CeraFrame Liquid: Seamless design, maximum creative freedom

The new solution for the
seamless bathroom

A minimalist design stands out for its certain uncompromising aesthetic quality. If you dispense with a large number of aspects, functions have to be integrated in the most intelligent manner in order to avoid disrupting the overall clean impression of puristic bathroom design.

More and more bathroom owners are requesting surfaces which are as close to seamless as possible in the shower area. That's why large-format tiles are frequently laid or thin coverings are applied. With CeraFrame Liquid, Dallmer has developed a shower channel that is specifically tailored to the requirements of seamless thin-layer filler systems. CeraFrame Liquid takes its place alongside the other members of the Dallmer DallFlex shower channel family.

The highest level of
processing reliability

The solid construction type, the fully closed channel contour and the watertight connection to the DallFlex drain body reliably prevent moisture from penetrating underneath the covering. The click-in sealing sleeve of the DallFlex drain body provides optimum water-proofing as per DIN 18534. Reliability at a new level, rounded off by impressive cleaning and maintenance properties.

Discover the DallFlex system:
dallmer.com/dallflex



What else might interest you: The Floor drains DallDrain. Installation technicians are provided with an assembly-friendly, highly flexible floor drain for drainage of all sealed surfaces, for example in the bathroom, spa and cellar.

Discover the DallDrain system:
dallmer.com/dalldrain



CeraFrame Liquid

CeraFrame Liquid

Product range page 20

The new form of seamless aesthetics makes functionality invisible.

CeraFrame Liquid







Material

Stainless steel

Suitable for drain bodies

DallFlex / DallFlex Plan / DallFlex vertical / CeraFlex / CeraFlex Plan / CeraFlex vertical

Build height

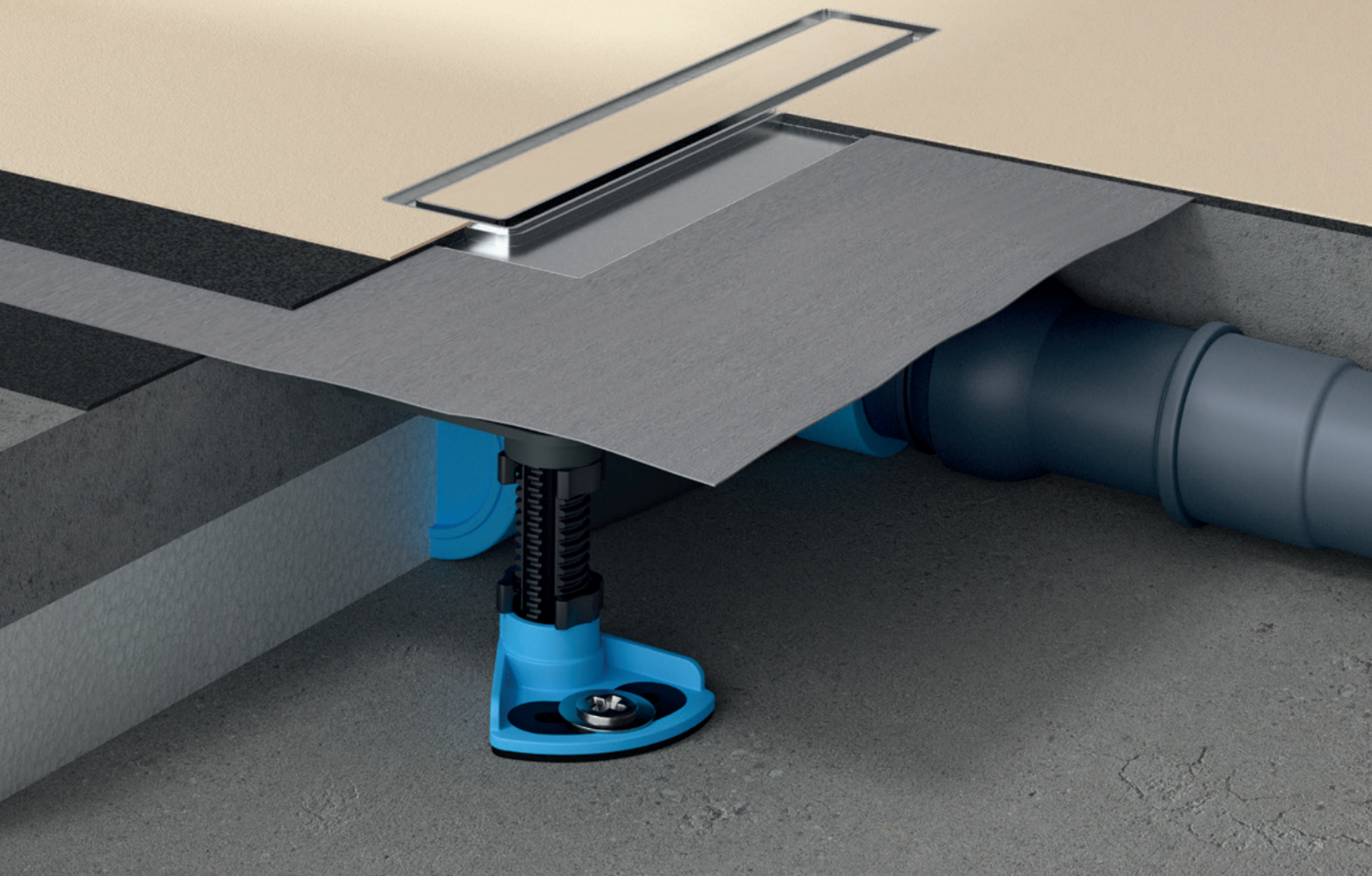
4.5 mm including waterproofing

Dimensions

270 × 47 mm

Suitable floor coverings

Spatula-applied seamless thin-layer floor coverings from selected manufacturers



- ① CeraFrame Liquid cover plate
- ② CeraFrame Liquid shower channel
- ③ Available for delivery in vertical version

Advantages

CeraFrame Liquid is a new type of drainage system. The solid construction type, the fully closed channel contour and the watertight connection to the DallFlex drain body guarantee maximum safety for thin-layer floor coverings, and prevent the moisture from penetrating underneath the covering.

- Specifically developed for thin-layered, seamless filler systems
- Integrates ideally into the shower area as the cover plate is also filled with the thin-layer floor covering
- No more high layer thicknesses with long drying times thanks to the lower installation height
- Solid construction
- Two-level troweling aid
- 100 % watertight connection to the DallFlex drain body, as per DIN 18534

Installation video:
dallmer.com/installation-dallflex



Drain bodies

Page 15

03



Plan (horizontal outlet)



Vertical outlet



Build-in height	45 mm (vertical), 65 mm Plan (horizontal outlet), 90 mm
Flow rates	0.5 – 1.0 l/s*
Convenience	Easy-to-remove trap insert for quick cleaning; easy access to wastewater pipe

*Depending on the drain version and connection type.

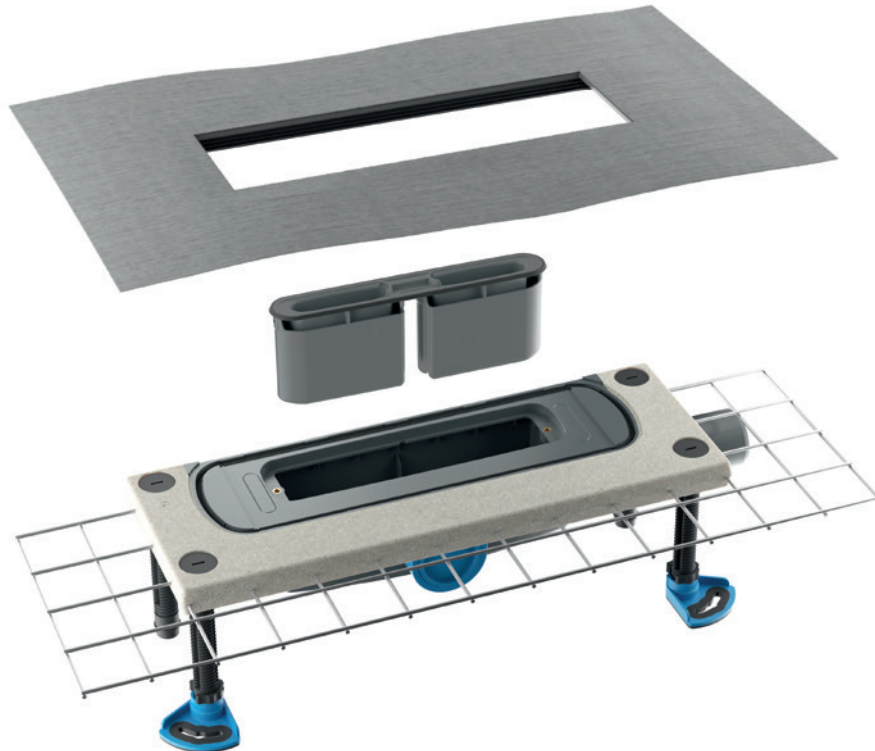
Advantages

- Installation in the screed, can be freely positioned against the wall or in the floor depending on preference
- Universal body with removable trap and click-in sealing sleeve
- For installation with all shower channels
- Dallmer fire and sound-insulating collar 11, suitable for CeraFlex and DallFlex vertical drain bodies

CeraFlex drain bodies

Product range from page 24

DIN 18534
compliant



Plan (horizontal outlet)



Vertical outlet



Build-in height	45 mm (vertical), 65 mm Plan (horizontal outlet), 90 mm
Flow rates	0.5 – 1.0 l/s*
Convenience	Easy-to-remove trap insert for quick cleaning; easy access to wastewater pipe

*Depending on the drain version and connection type.

Advantages

- Installation in the screed, can be freely positioned against the wall or in the floor depending on preference
- Maximum installation reliability thanks to polymer concrete collar with cast steel mesh reinforcement
- For installation with all shower channels
- Dallmer fire and sound-insulating collar 11, suitable for CeraFlex and DallFlex vertical drain bodies

Product range

Page 19

04

Shower channel CeraFrame Liquid

DALLMER shower channel CeraFrame Liquid

for installation with drain body DallFlex, DallFlex Plan, CeraFlex and CeraFlex Plan in trowelled jointless thin-layer floor coatings of selected manufacturers.
Suitable for coatings with total construction height of 4.5 mm incl. waterproofing.

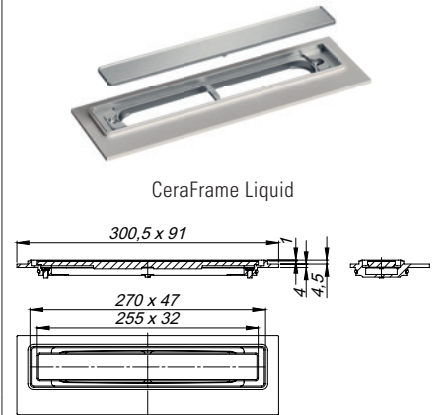
SPECIFICATION

- coatable cover plate 255 x 32 mm
- two-level troweling aid
- temporary blanking plate

MATERIAL

304 stainless steel, 300 x 91 mm, 8 mm solid, frame 270 x 47 mm, load class K 3 (300 kg)

ITEM	DIMENSION	PART NO.
shower channel CeraFrame Liquid	270 x 47 mm	537393



DALLMER shower channel CeraFrame Liquid vertical

for installation with drain body DallFlex vertical and CeraFlex vertical in trowelled jointless thin-layer floor coatings of selected manufacturers.
Suitable for coatings with total construction height of 4.5 mm incl. waterproofing.

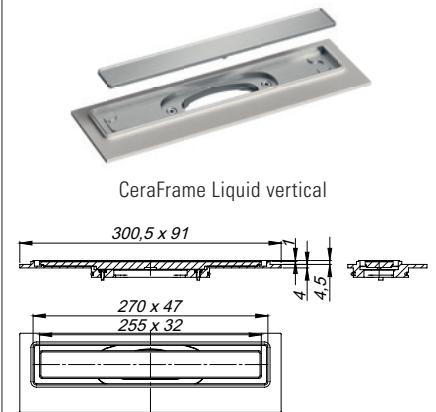
SPECIFICATION

- coatable cover plate 255 x 32 mm
- two-level troweling aid
- temporary blanking plate

MATERIAL

304 stainless steel, 300 x 91 mm, 8 mm solid, frame 270 x 47 mm, load class K 3 (300 kg)

ITEM	DIMENSION	PART NO.
shower channel CeraFrame Liquid vertical	270 x 47 mm	537409



Ordering CeraFrame Liquid:

Please order drain body DallFlex or CeraFlex + shower channel CeraFrame Liquid as two components!

Ordering CeraFrame Liquid vertical:

Please order drain body DallFlex vertical or CeraFlex vertical + shower channel CeraFrame Liquid vertical as two components!

Note:

The thin-layer trowel system must be suitable and tested for use on waterproofing according to DIN 18534 in level access showers. The manufacturer's instructions must be followed during the application.

Drain body DallFlex



DALLMER drain body DallFlex

conforming to DIN EN 1253

for installation with shower channels CeraWall, CeraFloor, CeraFrame, Zentrix, CeraNiveau and CeraFrame Liquid. Outlet DN 50 horizontal, can be positioned on three sides without tools, with ball-joint, adjustable 0 – 15 degrees

SPECIFICATION

- integrated anchors for extra grip in the screed
- flexible sealing collar for secure bonding of under-tile waterproofing (conforming to DIN 18534)
- accessories for sound insulated installation
- sound absorbing mounting feet for fixing and height adjustment 90 - 250 mm
- removable trap insert, 50 mm water seal (conforming to DIN EN 1253)
- temporary blanking plate

MATERIAL

Polypropylene drain body and outlet, highly impact-resistant

FLOW RATE TESTED TO DIN EN 1253 (with 10/20 mm water over cover plate)

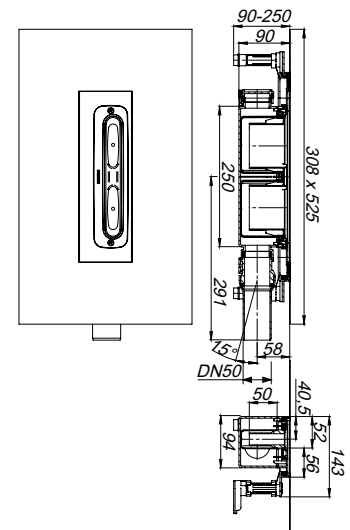
	Required	Dallmer
DN 50	0.8 l/s	0.74/0.8 l/s

ITEM	DN	PART NO.
drain body DallFlex	DN 50	539007

Build-in height 90 mm



drain body DallFlex



Drain body DallFlex



DALLMER drain body DallFlex Plan

for installation with shower channels CeraWall, CeraFloor, CeraFrame, Zentrix, CeraNiveau and CeraFrame Liquid. Outlet DN 40 horizontal, can be positioned on three sides without tools, with ball-joint, adjustable 0 – 15 degrees

SPECIFICATION

- integrated anchors for extra grip in the screed
- flexible sealing collar for secure bonding of under-tile waterproofing (conforming to DIN 18534)
- accessories for sound insulated installation
- sound absorbing mounting feet for fixing and height adjustment 65 - 250 mm
- removable trap insert, 30 mm water seal (deviating to DIN EN 1253)
- temporary blanking plate

MATERIAL

Polypropylene drain body and outlet, highly impact-resistant

FLOW RATE FOLLOWING DIN EN 1253 TAB. 3,
(with 10/20 mm water over cover plate)

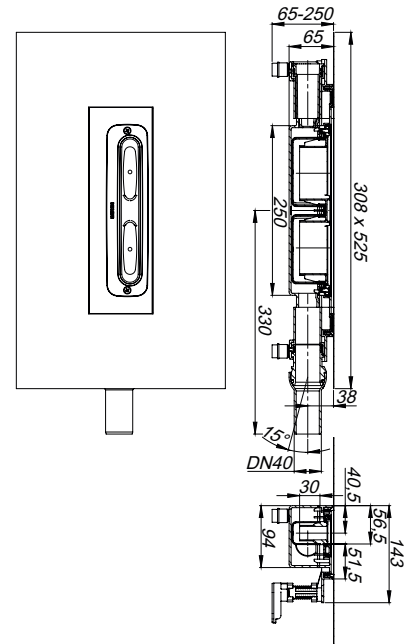
	Required	Dallmer
DN 40	0.4 l/s	0.48/0.5 l/s

ITEM	DN	PART NO.
drain body DallFlex Plan	DN 40	539014

Build-in height 65 mm



drain body DallFlex Plan



Drain body DallFlex



DALLMER drain body DallFlex vertical

conforming to DIN EN 1253

for installation with shower channels CeraWall, CeraFloor, CeraFrame, Zentrix, CeraNiveau and CeraFrame Liquid vertical. Outlet DN 50 vertical

SPECIFICATION


- integrated anchors for extra grip in the screed
- flexible sealing collar for secure bonding of under-tile waterproofing (conforming to DIN 18534)
- accessories for sound insulated installation
- sound absorbing mounting feet for fixing and height adjustment 45 - 250 mm
- removable trap insert, 50 mm water seal (conforming to DIN EN 1253)
- temporary blanking plate

MATERIAL

Polypropylene drain body and outlet, highly impact-resistant

FLOW RATE TESTED TO DIN EN 1253
(with 10/20 mm water over cover plate)

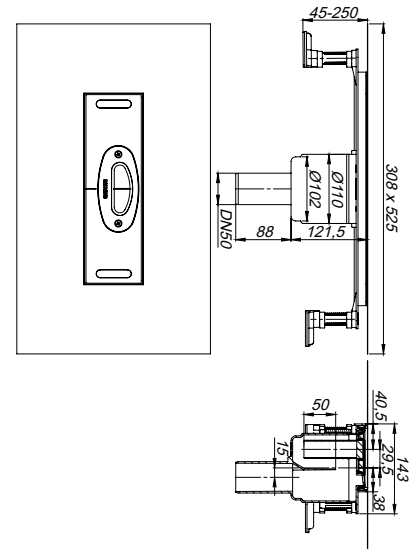
	Required	Dallmer
DN 50	0.8 l/s	0.8/1.0 l/s

ITEM	DN	PART NO.
 drain body DallFlex vertical	DN 50	539076

Build-in height 45 mm
(without mounting feet 30 mm)



drain body DallFlex vertical



core drill: d: 120 mm

core drill for fire and sound-insulating collar 11:
d: 157 - 177 mm

DALLMER fire and sound-insulating collar – installation kit 11

used with floor drain bodies DallFlex vertical and floor drain bodies CeraFlex vertical.
For F 30/60/90/120 rated floors.

SPECIFICATION

- insertion element
- intumescent material
- built-in hangers
- mounting accessories
- mortar guard
- blanking plate

connects to:

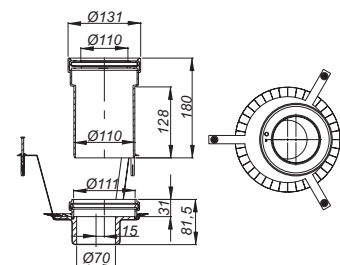
plastic pipework DN 50 with couplings,

cast iron pipework DN 50 with DALLMER HT/SML pipe coupling DN 50/DN 50 (part-no. 880024)

ITEM	DN	PART NO.
fire and sound-insulating collar – installation kit 11	DN 50	515308



fire + sound-insulating collar – installation kit 11



core drill: d: 157 - 177 mm

Drain body CeraFlex

DALLMER drain body CeraFlex

conforming to DIN EN 1253

for installation with shower channels CeraWall, CeraFloor, CeraFrame, Zentrix, CeraNiveau and CeraFrame Liquid. Outlet DN 50 horizontal, can be positioned on three sides without tools, with ball-joint, adjustable 0 – 15 degrees.

SPECIFICATION

- polymer concrete collar with steel mesh reinforcement
- flexible sealing collar for secure bonding of under-tile waterproofing (conforming to DIN 18534)
- accessories for sound insulated installation
- sound absorbing mounting feet for fixing and height adjustment 90 - 240 mm
- removable trap insert, 50 mm water seal (conforming to DIN EN 1253)
- temporary blanking plate

MATERIAL

Polypropylene drain body and outlet, highly impact-resistant

FLOW RATE TESTED TO DIN EN 1253 (with 10/20 mm water over cover plate)

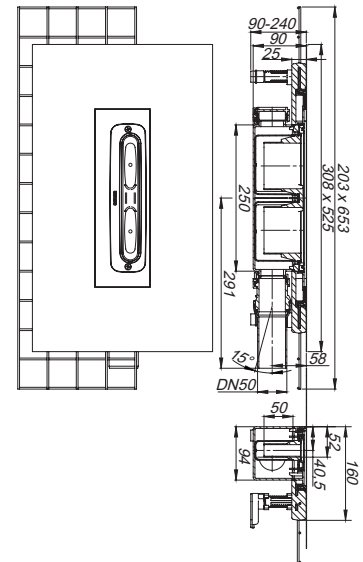
	Required	Dallmer
DN 50	0.8 l/s	0.74/0.8 l/s

ITEM	DN	PART NO.
drain body CeraFlex	DN 50	537140

Build-in height 90 mm



drain body CeraFlex



DALLMER drain body CeraFlex Plan

for installation with shower channels CeraWall, CeraFloor, CeraFrame, Zentrix, CeraNiveau and CeraFrame Liquid. Outlet DN 40 horizontal, can be positioned on three sides without tools, with ball-joint, adjustable 0 – 15 degrees.

SPECIFICATION

- polymer concrete collar with steel mesh reinforcement
- flexible sealing collar for secure bonding of under-tile waterproofing (conforming to DIN 18534)
- accessories for sound insulated installation
- sound absorbing mounting feet for fixing and height adjustment 65 - 240 mm
- removable trap insert, 30 mm water seal (deviating to DIN EN 1253)
- temporary blanking plate

MATERIAL

Polypropylene drain body and outlet, highly impact-resistant

FLOW RATE FOLLOWING DIN EN 1253 TAB. 3, (with 10/20 mm water over cover plate)

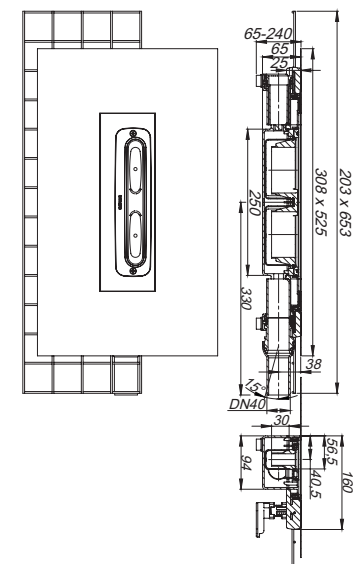
	Required	Dallmer
DN 40	0.4 l/s	0.48/0.5 l/s

ITEM	DN	PART NO.
drain body CeraFlex Plan	DN 40	537157

Build-in height 65 mm



drain body CeraFlex Plan



Drain body CeraFlex

DALLMER drain body CeraFlex vertical

conforming to DIN EN 1253

for installation with shower channels CeraWall, CeraFloor, CeraFrame, Zentrix, CeraNiveau and CeraFrame Liquid vertical. Outlet DN 50 vertical.

SPECIFICATION

- polymer concrete collar with steel mesh reinforcement
- flexible sealing collar for secure bonding of under-tile waterproofing (conforming to DIN 18534)
- accessories for sound insulated installation
- sound absorbing mounting feet for fixing and height adjustment 45 - 240 mm
- removable trap insert, 50 mm water seal (conforming to DIN EN 1253)
- temporary blanking plate


MATERIAL

Polypropylene drain body and outlet, highly impact-resistant

FLOW RATE TESTED TO DIN EN 1253

(with 10/20 mm water over cover plate)

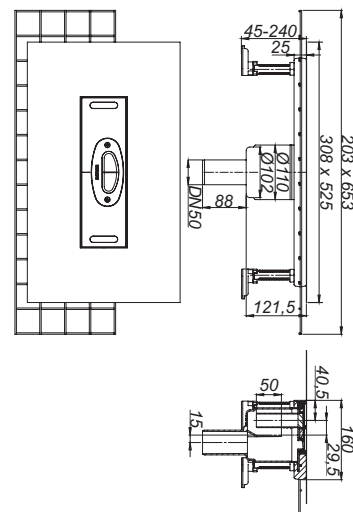
	Required	Dallmer
DN 50	0.8 l/s	0.8/1.0 l/s

ITEM	DN	PART NO.
 drain body CeraFlex vertical	DN 50	537164

Build-in height 45 mm
(without mounting feet 30 mm)



drain body CeraFlex vertical



DALLMER fire and sound-insulating collar – installation kit 11

used with floor drain bodies DallFlex vertical and floor drain bodies CeraFlex vertical. For F 30/60/90/120 rated floors.

SPECIFICATION

- insertion element
- intumescent material
- built-in hangers
- mounting accessories
- mortar guard
- blanking plate

connects to:

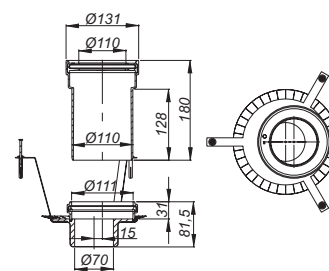
plastic pipework DN 50 with couplings,

cast iron pipework DN 50 with DALLMER HT/SML pipe coupling DN 50/DN 50 (part-no. 880024)

ITEM	DN	PART NO.
fire and sound-insulating collar – installation kit 11	DN 50	515308



fire + sound-insulating collar – installation kit 11



core drill: d: 157 - 177 mm

Service

Our products at a glance

Help for planning and installation

Discover our diverse drainage systems and get an overview of our product categories on our website dallmer.com

Planners, architects and installation technicians can visit dallmer.com/service for useful tools and documents which provide them with support during the entire process, from planning to installation.



Installation instructions



DXF drawings



Data sheets



BIM – building information modelling



System sections



Configurator

The Dallmer Sessions online. video. live.



If you are abreast of the state-of-the-art of drainage technologies, changes to standards and directives, and current bathroom trends, you have a clear advantage which you can pass on to your customers. Dallmer's training opportunities now make it even easier to keep up to date.

For more information and current scheduled events, visit dallmer.com/sessions

10-year warranty*

A promise which we are happy for you to pass on to your customers.

Dallmer GmbH + Co. KG
Wiebelsheidestraße 25
59757 Arnsberg
Germany

T +49 2932 9616-0
F +49 2932 9616-222
E info@dallmer.de
W dallmer.com

DW20076 / 09/2023_1.0_FA
WEEE-Reg.-Nr. DE 98946358