

DALLMER

Drainage systems.
Since 1913

02/2024

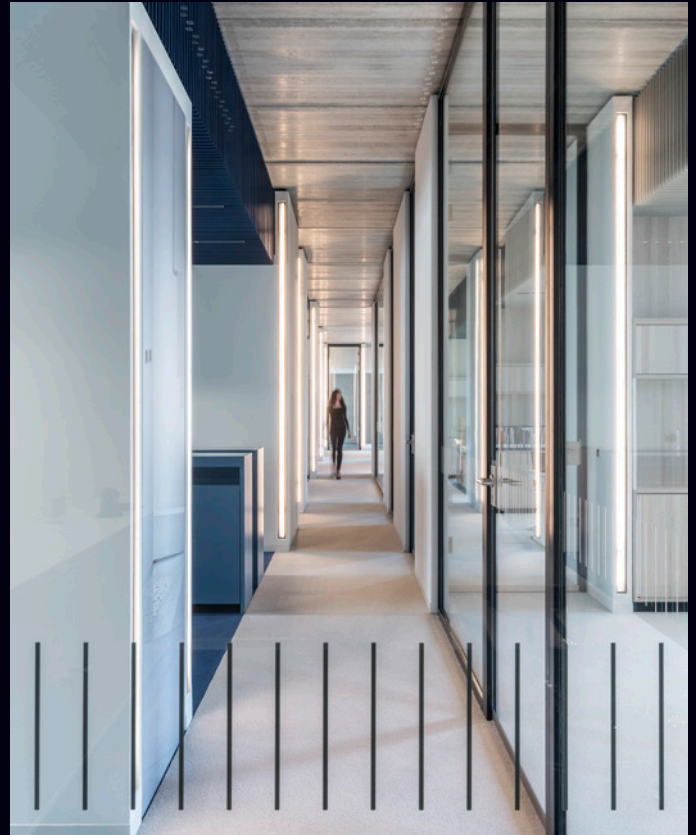
Shower channel system
DallIFlex

01	Introduction	Page 05
02	Drain bodies	Page 17
03	Shower underlays	Page 23
04	Shower channels	Page 27
05	Order overview	Page 69
06	Product range	Page 83
07	Service	Page 128

01

Introduction

Page 05



"We are an innovative company – but we're also one big family."

Harry Bauermeister,
Managing Director

The Dallmer family business is now in its fourth generation. And even if over the decades times have changed drastically, and along with it the production processes, one thing has remained the same: All Dallmer products are developed, designed and manufactured using state-of-the-art technology in Germany – more specifically, in Arnsberg. The "Made in Germany" seal of quality applies without reservations.

Investing in the future. Dallmer does not only invest money in state-of-the-art machine technology, but also in training and further education for its employees. This ensures that there is specialist know-how at the location.

Bringing together strengths. In order to produce drainage solutions which set standards, you need a genuine innovative spirit and a high degree of experience – and state-of-the-art technology.

Every detail counts. Quality is our top priority. If we all work towards this same goal, we are capable of meeting even the highest demands.



Headquarters in
Arnsberg

Production and
storage rooms



1913

The DallFlex system family: Individuality as standard

Stylistic and functional,
the fitting solution for every
structural situation

How it works: DallFlex as a base drain, or Ceraflex as a drain for maximum stability, is combined with the fitting shower channel. And just like that, more than 100 possibilities become available under the DallFlex umbrella, enabling the highest individual degree of hygiene and comfort: The shower channel is simply wiped off and dirt is directly rinsed off the completely removable trap. One of a kind!

Front-of-wall or in-floor installation? Our system, with CeraWall, CeraFloor and Compact, guarantees a level of variety and versatility in every area of application that no other drainage system has been able to offer. Always according to the individual need.

Do you prefer something budget-friendly and well-designed?
The Pure models are our budget-friendly design variants.

Do you value individual design freedom?
Our Individual line offers customisable shower channels that are virtually invisible.

Do you prefer a minimalist design?
The CeraFrame Liquid model offers a shower channel solution for thin-layer floor coating systems.

Do you need something more exclusive?
Select comprises accentuated premium models made of solid stainless steel.

Variety makes all the difference. Stylistic and functional.
Dive into the world of DallFlex.

Discover the DallFlex system:
dallmer.com/dallflex



You might also be interested in: The DallDrain point drain for floor drainage. Installation technicians are provided with an assembly-friendly, highly flexible floor drain for drainage of all sealed surfaces, for example in the bathroom, spa and cellar.

Discover the DallDrain-system:
dallmer.com/dalldrain



CeraFloor Select
Matt stainless steel

The simplest form of cleaning

The drainage system for perfect hygiene

- Completely removable trap for easy and thorough cleaning
- Easy and direct access to the drain area
- No concealed dirt-traps thanks to the flush-mounted and exposed water path





CeraFloor Select
Matt stainless steel

Drain bodies

Order overview from page 70
Product range from page 84



DallFlex 115

Page 18



DallFlex

Page 18



DallFlex Plan

Page 18



DallFlex vertical

Page 18



CeraFlex

Page 20



CeraFlex Plan

Page 20

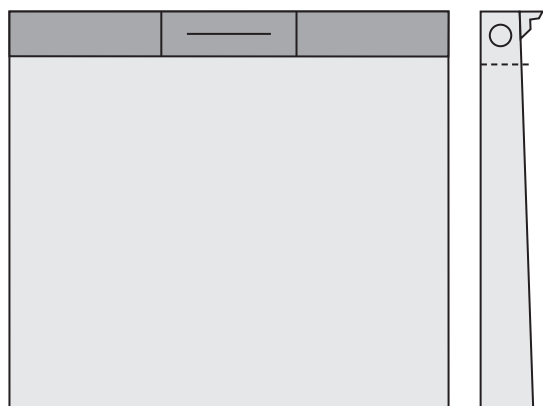


CeraFlex vertical

Page 20

Shower underlays

For the wall

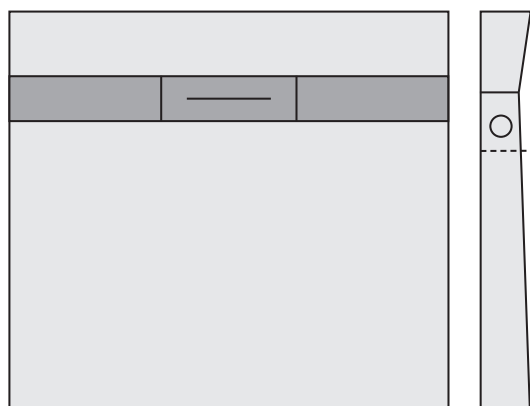


DallFlex Wall H: 105 mm Page 24
DallFlex Wall Plan H: 85 mm

DallFlex Wall
suitable for shower channels

- + CeraWall Select
- + CeraWall Individual
- + CeraWall Pure
- + CeraFloor Select
- + CeraFloor Pure

For in-floor and front-of-wall installation

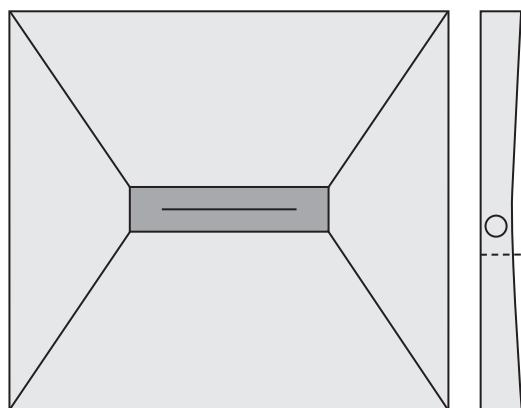


DallFlex Floor H: 105 mm Page 24
DallFlex Floor Plan H: 80 mm

DallFlex Floor
suitable for shower channels

- + CeraFloor Select
- + CeraFloor Individual
- + CeraFloor Pure

For in-floor installation



DallFlex Compact H: 105 mm Page 24
DallFlex Compact Plan H: 80 mm

DallFlex Floor
suitable for shower channels

- + Zentrix
- + CeraNiveau
- + CeraFrame Individual

Shower channels

Order overview from page 70
Product range from page 101

For the wall



CeraWall Select Page 28
Solid & high-grade
5 mm, solid



CeraWall Individual Page 32
Discreet and customisable



CeraWall Pure Page 36
Affordable & functional
1.5 mm, edged

For in-floor and front-of-wall installation



CeraFloor Select Page 40
Solid & high-grade
6 mm, solid



CeraFloor Individual Page 44
Discreet and customisable



CeraFloor Pure Page 48
Affordable & functional
1.5 mm edged

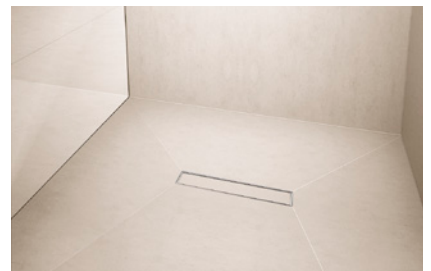
For in-floor installation



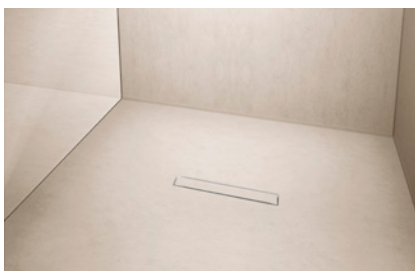
Zentrix Page 52
Compact & stylish



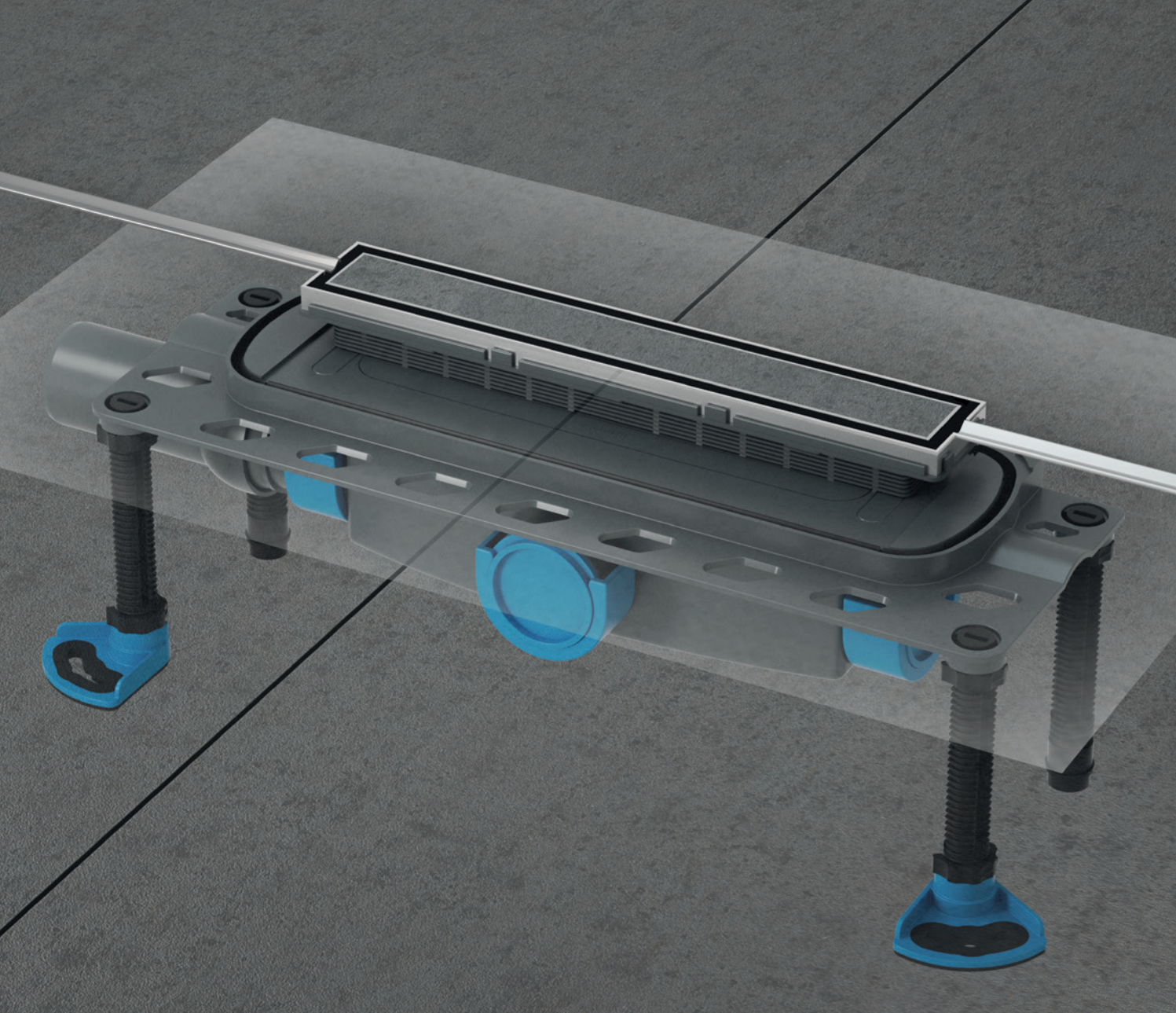
CeraNiveau Page 56
Elegant & design-oriented



CeraFrame Individual Page 60
Creative & flexible



CeraFrame Liquid Page 64
Seamless & reliable



DIN 18534
compliant

Advantages

One system, ten suitable shower channels. Dalflex offers stylish and easy-to-install solutions for virtually every structural situation.

- Very simple cleaning for optimum hygiene
- Functional and elegant, thanks to customisable precision-fit option
- Reliable waterproofing with tool-free click-in Dalflex sealing sleeve
- Sophisticated product details, such as subsequent fine-positioning in all horizontal directions
- Multi-award-winning design

Compatibility with liquid and sheet sealants

For the DallFlex and DallDrain system families, we provide a General Building Supervisory Authority Test Certificate (abP) or the manufacturer's approval regarding compatibility with the liquid sealants and sheet sealants for a large number of manufacturers. Tried-and-tested combinations: Quick and reliable.

BOTAMENT[®]
SYSTEMBAUSTOFFE □□□□

SCHÖNOX[®]



OX
oxiegen[®]

Schlüter[®]
Systems

Sopro

SCHOMBURG

MAPEI

ARDEX

Kiesel

PCI

Fire protection for added safety

If a building catches fire, its vertical floor drains need to be professionally secured so that the fire does not spread via the drainage pipes. The solution: Our fire-insulating structural elements contain the spread of fire reliably if the worst happens, ensuring maximum safety.

Sound insulation for better quality of living

The right sound insulation ensures a better quality of living, and a better quality of life. Our shower channels and drain systems for level-access showers are designed to meet this requirement. The integrated Dallmer sound insulation element reduces the noise made by the drain's functions and significantly insulates footfall sound. This has been confirmed by the Fraunhofer Institute for Building Physics, with the increased sound insulation requirements under DIN 4109 and VDI 4100 being comprehensively fulfilled.

Further information is available at
dallmer.com/fire-insulation
dallmer.com/sound-insulation

DALLMER

FIRE
PROTECTION
SYSTEMS

DALLMER

SOUND
PROTECTION
SYSTEMS

02

Drain bodies

Page 17



or 7



or 8



or 9



Build-in height

45 mm (vertical), 65 mm, 90 mm or 115 mm

Flow rates

0.5 – 2.35 l/s*

Comfort

Certified sound insulation conforming to
DIN 4109 and VDI 4100

*Depending on the drain version and connection type.



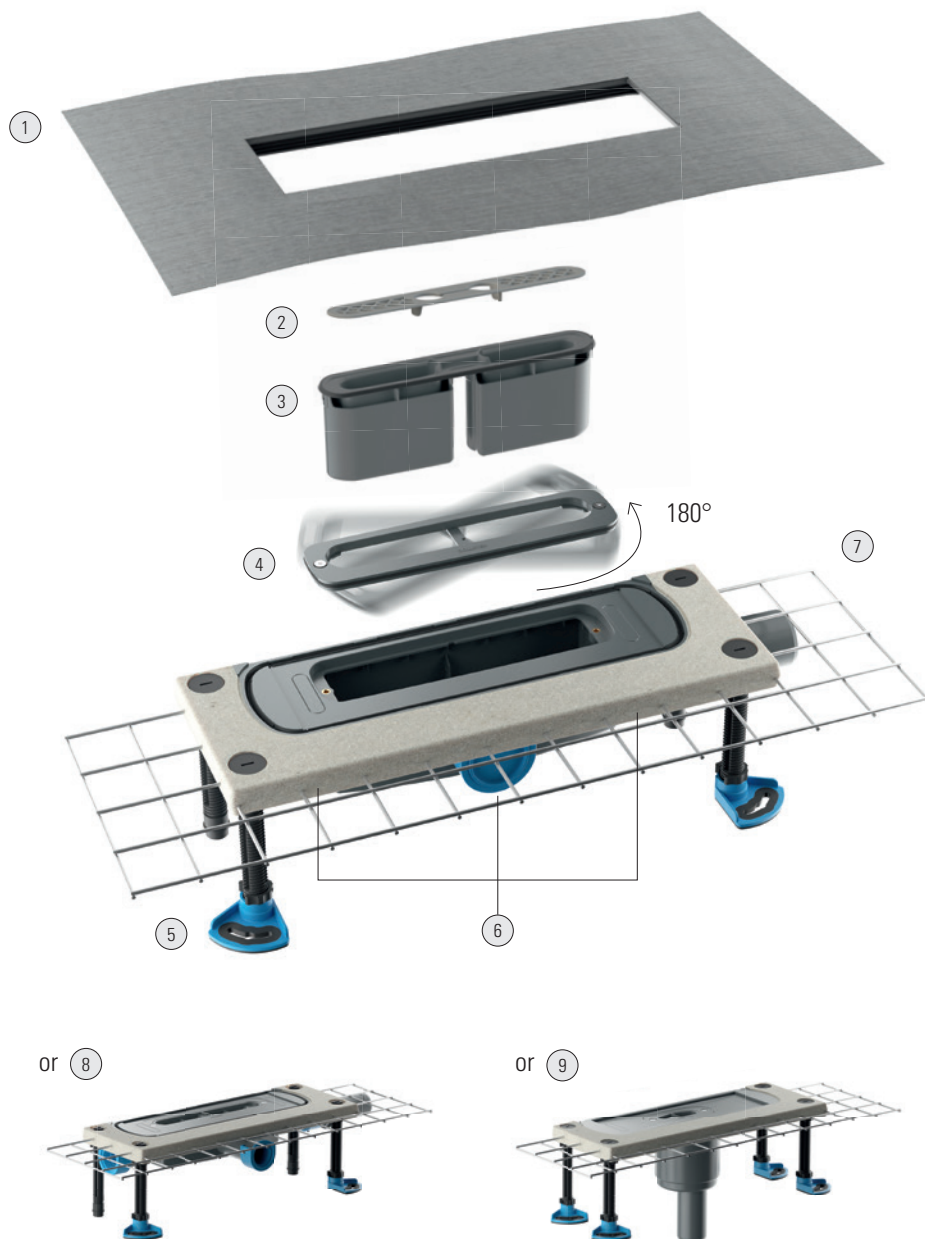
Advantages

- ① Flexible, crease-free, click-in sealing sleeve for secure connection to bonded waterproofing conforming to DIN 18534
 - ② Hair trap optional
 - ③ Easy-to-remove trap insert for quick cleaning; easy access to wastewater pipe
 - ④ Asymmetrical interchangeable frame for adaptation to various wall covering thicknesses of 12 – 32 mm even after installation in the screed
 - ⑤ Acoustically decoupled, height-adjustable mounting feet
 - ⑥ Tool-free positioning of drain outlet on three sides, ball-joint for stress-free connection to the wastewater pipe
 - ⑦ Available for delivery in 115 version
 - ⑧ Available for delivery in Plan version
 - ⑨ Available with vertical outlet
- Installation in the screed, can be freely positioned against the wall or in the floor depending on preference
 - Universal body with removable trap and click-in sealing sleeve
 - For installation with all shower channels
 - Dallmer fire and sound-insulating collar 11, suitable for CeraFlex and DallFlex vertical drain bodies
 - DallFlex 115 design with very high flow rate
 - Also available as a long Duo version with two drain bodies

Can be connected to British standard pipework with adaptor part No. 880734 and 880727.

Installation video:
dallmer.com/installation





Build-in height 45 mm (vertical), 65 mm or 90 mm

Flow rates 0.5 – 1.0 l/s*

Comfort Certified sound insulation conforming to DIN 4109 and VDI 4100

*Depending on the drain version and connection type.



Advantages

- ① Flexible, crease-free, click-in sealing sleeve for secure connection to bonded waterproofing conforming to DIN 18534
 - ② Hair trap optional
 - ③ Easy-to-remove trap insert for quick cleaning; easy access to wastewater pipe
 - ④ Asymmetrical interchangeable frame for adaptation to various wall covering thicknesses of 12 – 32 mm even after installation in the screed
 - ⑤ Acoustically decoupled, height-adjustable mounting feet
 - ⑥ Tool-free positioning of drain outlet on three sides, ball-joint for stress-free connection to the wastewater pipe
 - ⑦ Polymer concrete collar with moulded steel mesh reinforcement
 - ⑧ Available for delivery in Plan version
 - ⑨ Available with vertical outlet
- Installation in the screed, can be freely positioned against the wall or in the floor depending on preference
 - Maximum installation reliability thanks to polymer concrete collar with cast steel mesh reinforcement
 - For installation with all shower channels
 - Dallmer fire and sound-insulating collar 11, suitable for CeraFlex and DallFlex vertical drain bodies

Installation video:
dallmer.com/installation



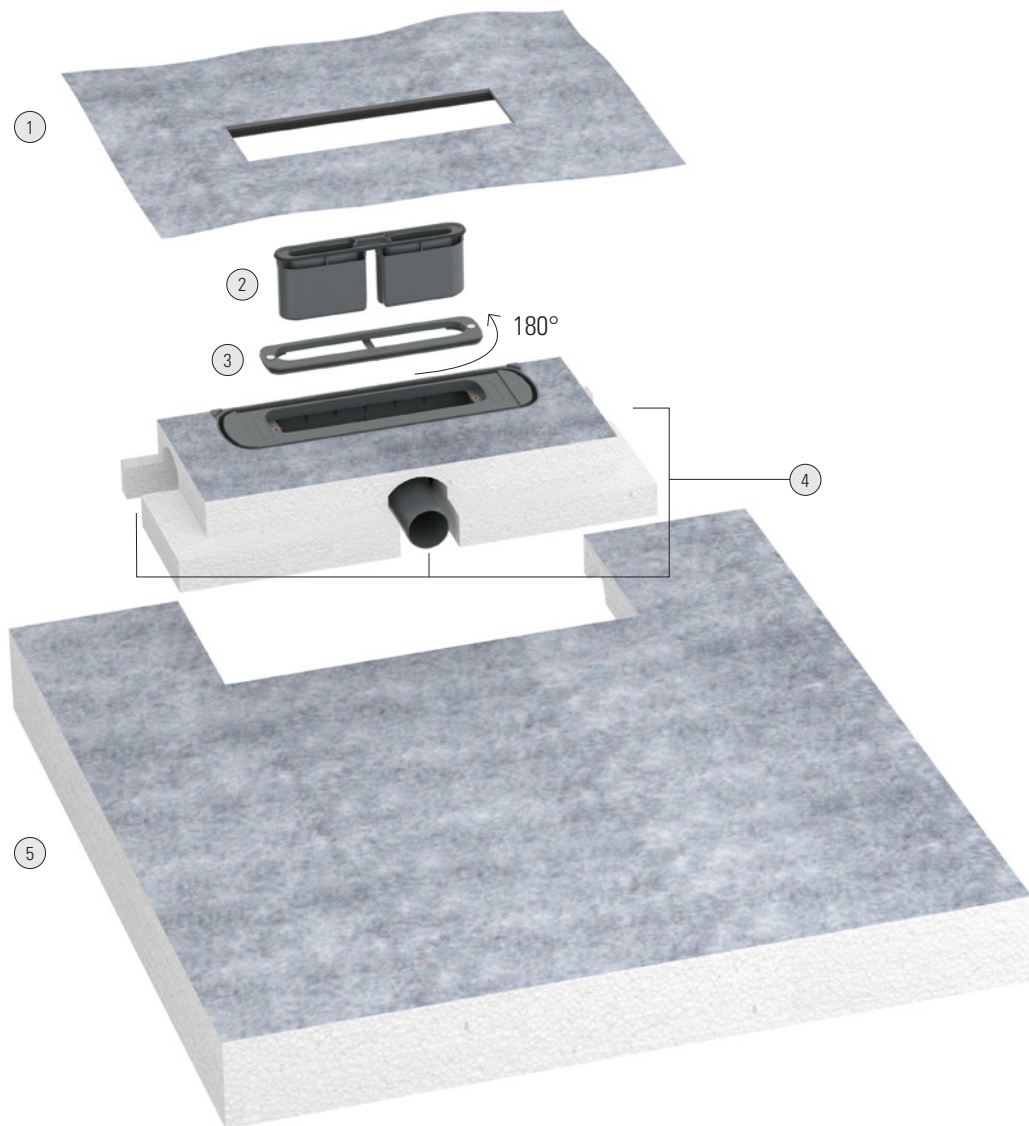
03

Shower underlays

Page 23

Shower underlay DallFlex

Order overview from page 76
Product range from page 96



Illustration

Shower underlay DallFlex Wall

Build-in height

from 80 mm (including drain body system)

Flow rates

0.5 – 0.8 l/s*

Comfort

Certified sound insulation conforming to
DIN 4109 and VDI 4100

*Depending on the drain version and connection type.



Advantages

- ① Flexible, crease-free, click-in sealing sleeve for secure connection to bonded waterproofing conforming to DIN 18534
 - ② Easy-to-remove trap insert for quick cleaning; easy access to wastewater pipe
 - ③ Asymmetrical interchangeable frame for adaptation to various wall covering thicknesses of 12 – 32 mm even after installation
 - ④ Tool-free positioning of drain outlet on three sides, ball-joint for stress-free connection to the wastewater pipe
 - ⑤ Available in the DallFlex Wall, Floor and Compact variants, and in the Plan variants in each case
- Pre-sloped, top side reinforced with fibreglass fabric and lined with waterproof fleece
 - Suitable for wheelchairs if tile size > 5 × 5 cm
 - Drain body system DallFlex with removable trap insert and click-in sealing sleeve
 - For installation with all shower channels

Installation video:
dallmer.com/installation




04

Shower channels


Page 27

CeraWall Select

Order overview page 70
Product range page 101

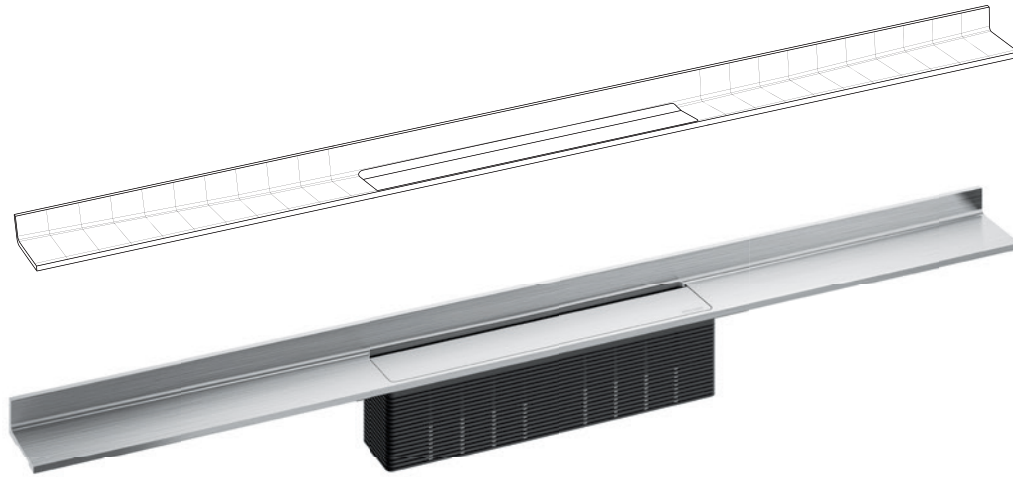


The accentuated
premium solid stainless
steel shower channel
for the wall

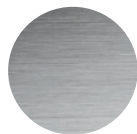


CeraWall Select
Brass matt, PVD-coated





Materials and finishes



Stainless steel
matt



Stainless steel
polished



Black*
matt



Red gold*
matt



Brass*
matt

Suitable for drain bodies

DallFlex 115 / DallFlex / DallFlex Plan / DallFlex vertical / CeraFlex / CeraFlex Plan / CeraFlex vertical

Suitable for shower underlays

DallFlex Wall / DallFlex Wall Plan

Build-in height

with 45 mm drain body (vertical), 65 mm, 90 mm or 115 mm /
with DallFlex Wall Plan shower underlay: From 85 mm

Lengths

800 – 1500 mm, 1300 – 2000 mm in the Duo version

Suitable floor coverings

10 – 24 mm, with natural stone design CeraWall Select N 24 – 32 mm (including adhesive bed)

Suitable wall coverings

12 – 24 mm, with natural stone design CeraWall Select N 24 – 32 mm (including adhesive bed)

*PVD-coated



- ① Solid 5 mm stainless steel rail
- ② Void-free laying in the adhesive bed
- ③ DallFlex sealing sleeve
- ④ Bonded waterproofing
- ⑤ Self-adhesive safety tape S 3 with cut-resistant stainless steel mesh and sound insulation

Advantages

CeraWall Select visually accentuates the integrated drainage in level-access showers. Nothing is hidden away; even the functionality is emphasised through the use of high-quality materials.

- Drain channel with multi-sided precision slope
- Length can be adjusted with millimetre accuracy
- Flush-mount installation in the shower area
- The shower area is defined by a sharp edge which also creates a visual link to the wall
- Also available as an extra-long Duo version with two drain bodies, and the CeraWall N version for natural stone floors



Installation video:
dallmer.com/installation



CeraWall Individual

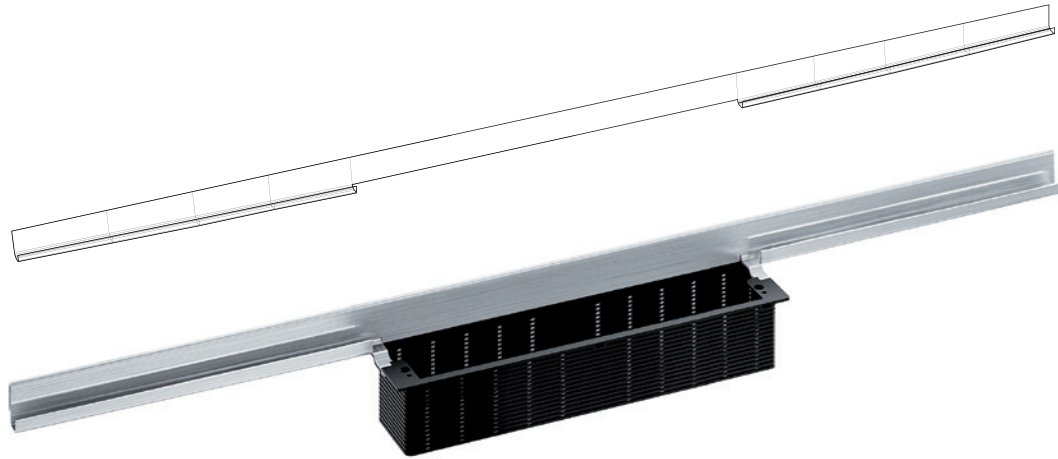
Order overview page 70
Product range page 107

The shower channel for the wall
with individual design options
which is almost invisible





CeraWall Individual
Stainless steel matt



Cover plates



Individual:
Can be tiled

Natural stone:
Can be tiled

Design:
Cannot be tiled

Materials and finishes



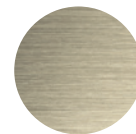
Stainless steel
matt



Black*
matt



Red gold*
matt



Brass*
matt

Suitable for drain bodies

DallFlex 115 / DallFlex / DallFlex Plan / DallFlex vertical / CeraFlex / CeraFlex Plan / CeraFlex vertical

Suitable for shower underlays

DallFlex Wall / DallFlex Wall Plan

Build-in height

with 45 mm drain body (vertical), 65 mm, 90 mm or 115 mm /
with DallFlex Wall Plan shower underlay: From 85 mm

Lengths

800 – 1500 mm; 1300 – 2000 mm in the Duo version

Suitable floor coverings

12 – 24 mm, with natural stone design CeraWall Individual N 24 – 32 mm (including adhesive bed)

Suitable wall coverings

12 – 24 mm, with natural stone design CeraWall Individual N 24 – 32 mm (including adhesive)

*PVD-coated



- ① Stainless steel profile
- ② Void-free laying in the adhesive bed
- ③ DallFlex sealing sleeve
- ④ Bonded waterproofing
- ⑤ Self-adhesive safety tape S 3 with cut-resistant stainless steel mesh and sound insulation

Individual cover plate:
For flooring with unfinished cut edges (e.g. glazed tiles)

Natural stone cover plate:
For flooring with polished cut edges or through-dyed flooring
(e.g. natural stone or porcelain stoneware)

Cover plate design:
All-purpose design in stainless steel, not to be tiled

Advantages

Integrated within the wall-floor joint, this shower channel is almost invisible.

- Drain channel with multi-sided precision slope
- Length can be adjusted with millimetre accuracy
- Flush-mount installation in the shower area
- The shower area is defined by a sharp edge which also creates a visual link to the wall.
- Also available as an extra-long Duo version with two drain bodies, and the CeraWall N version for natural stone floors

Installation video:
dallmer.com/installation



CeraWall Pure

Order overview page 70
Product range page 113

The budget-friendly
designer shower channel
for the wall



CeraWall Pure
Stainless steel







Materials and finishes



Stainless steel

Suitable for drain bodies	DallFlex 115 / DallFlex / DallFlex Plan / DallFlex vertical / CeraFlex / CeraFlex Plan / CeraFlex vertical
Suitable for shower underlays	DallFlex Wall / DallFlex Wall Plan
Build-in height	with 45 mm drain body (vertical), 65 mm, 90 mm or 115 mm / with shower underlay DallFlex Wall Plan: From 85 mm
Lengths	900 mm, 1000 mm, 1200 mm
Suitable floor coverings	12 – 32 mm (incl. adhesive bed)
Suitable wall coverings	12 – 24 mm (incl. adhesive bed)



- ① 1.5 mm chamfered stainless steel
- ② Void-free laying in the adhesive bed
- ③ DallFlex sealing sleeve
- ④ Bonded waterproofing

Advantages

CeraWall Pure in stainless steel design adds a new and modern touch to any bathroom. This budget-friendly shower channel for wall installation lacks none of the key features that set the products of the DallFlex system family apart. It is extremely easy to clean and the tool-free, click-in DallFlex sealing sleeve ensures reliable waterproofing.

- Drain channel with integrated cross slope
- Length can be adjusted with millimetre accuracy
- The shower area is defined by a sharp edge, which also creates a visual link to the wall

Installation video:
dallmer.com/installation



CeraFloor Select

Order overview page 72
Product range page 114

The exclusive premium solid stainless steel shower channel for in-floor and front-of-wall installation

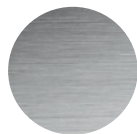




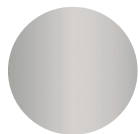
CeraFloor Select
Black matt, PVD-coated



Materials and finishes



Stainless steel
matt



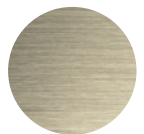
Stainless steel
polished



Black*
matt



Red gold*
matt



Brass*
matt

Suitable for drain bodies

DallFlex 115 / DallFlex / DallFlex Plan / DallFlex vertical / CeraFlex / CeraFlex Plan / CeraFlex vertical

Suitable for shower underlays

DallFlex Wall / DallFlex Wall Plan / DallFlex Floor / DallFlex Floor Plan

Build-in height

with 45 mm drain body (vertical), 65 mm, 90 mm or 115 mm /
with DallFlex Floor Plan shower underlay: From 80 mm

Lengths

800 – 1500 mm, in the Duo version 1300–2000 mm

Suitable floor coverings

10 – 32 mm (incl. adhesive bed)

Suitable wall coverings

12 – 24 mm (incl. adhesive bed)

*PVD-coated



- ① Solid 6 mm stainless steel rail
- ② Void-free laying in the adhesive bed
- ③ DallFlex sealing sleeve
- ④ Bonded waterproofing

Advantages

These days, open and generously sized level-access showers are considered the epitome of luxury and good taste, which is why we designed the CeraFloor Select shower channel, a system that develops its full effect over a larger surface area.

- Drain channel with multi-sided precision slope
- Length can be adjusted with millimetre accuracy
- Flush-mount installation in the shower area
- Also available as an extra-long Duo version with two drain bodies



Installation video:
dallmer.com/installation



CeraFloor Individual

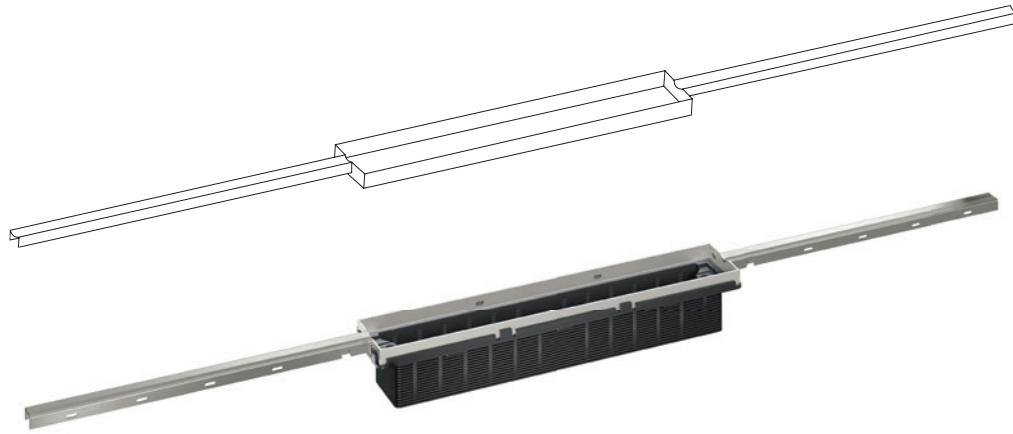
Order overview page 72
Product range page 121

The shower channel for in-floor installation with individual design options, making it almost invisible

CeraFloor Individual
with stainless steel frame that can be tiled







Cover plates

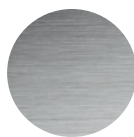


Individual:
Can be tiled



Design:
Cannot be tiled

Materials and finishes



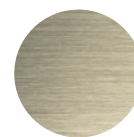
Stainless steel
matt



Black*
matt



Red gold*
matt



Brass*
matt

Suitable for drain bodies

DallFlex 115 / DallFlex / DallFlex Plan / DallFlex vertical / CeraFlex / CeraFlex Plan / CeraFlex vertical

Suitable for shower underlays

DallFlex Floor / DallFlex Floor Plan

Build-in height

with 45 mm drain body (vertical), 65 mm, 90 mm or 115 mm /
with DallFlex Floor Plan shower underlay: From 80 mm

Lengths

800 – 1500 mm

Suitable floor coverings

12 – 38 mm (incl. adhesive bed)

*PVD-coated



- ① Stainless steel profile
- ② Void-free laying in the adhesive bed
- ③ DallFlex sealing sleeve
- ④ Bonded waterproofing

Individual cover plate:
For tiling with individual floor coverings

Cover plate design:
All-purpose design in stainless steel, not to be tiled

Advantages

CeraFloor Individual impresses across the board, both aesthetically and technically. The cover plate on the minimalistically elegant shower channel can be fitted with almost any tile. This makes it perfect for individual bathroom and spa concepts.

- Drain profile with integrated cross slope
- Length can be adjusted with millimetre accuracy
- Flush-mount installation in the shower area
- The greatest possible freedom of design, can be covered with almost any tile



Installation video:
dallmer.com/installation



CeraFloor Pure

Order overview page 72
Product range page 122

The budget-friendly
designer shower channel
for in-floor and also
front-of-wall installation





CeraFloor Pure
Stainless steel



Materials and finishes



Stainless steel

Suitable for drain bodies	DallFlex 115 / DallFlex / DallFlex Plan / DallFlex vertical / CeraFlex / CeraFlex Plan / CeraFlex vertical
Suitable for shower underlays	DallFlex Floor / DallFlex Floor Plan / DallFlex Wall / DallFlex Wall Plan
Build-in height	with 45 mm drain body (vertical), 65 mm, 90 mm or 115 mm / with DallFlex Floor Plan shower underlay: From 80 mm
Lengths	900 mm, 1000 mm, 1200 mm
Suitable floor coverings	12 – 32 mm (incl. adhesive bed)
Suitable wall coverings	12 – 24 mm (incl. adhesive bed)



- ① 1.5 mm chamfered stainless steel
- ② Void-free laying in the adhesive bed
- ③ DallFlex sealing sleeve
- ④ Bonded waterproofing

Advantages

CeraFloor Pure has all the quality features of a true Dallmer shower channel and is particularly ideal for those working on a budget. The shower channel in a contemporary stainless steel design can be installed in such a way that it is flush with recesses; functional and easy to clean. This makes it ideal for fitting out large properties.

- Drain channel with integrated cross slope
- Length can be adjusted with millimetre accuracy
- Flush-mount installation in the shower area

Installation video:
dallmer.com/installation



The elegant and compact shower channel
for in-floor installation

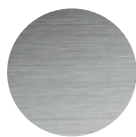




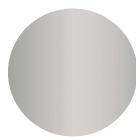
Zentrix
Matt red gold, PVD-coated



Materials and finishes



Stainless steel
matt



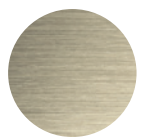
Stainless steel
polished



Black*
matt



Red gold*
matt



Brass*
matt

Suitable for drain bodies

DallFlex 115 / DallFlex / DallFlex Plan / DallFlex vertical / CeraFlex / CeraFlex Plan / CeraFlex vertical

Suitable for shower underlays

DallFlex Compact / DallFlex Compact Plan

Build-in height

with 45 mm drain body (vertical), 65 mm, 90 mm or 115 mm /
with DallFlex Compact Plan shower underlay from 80 mm

Dimension

300 × 50 mm

Suitable floor coverings

11 – 38 mm (incl. adhesive bed)

*PVD-coated



- ① Stainless steel cover plate
- ② Tile adhesive
- ③ Sealing sleeve DallFlex
- ④ Bonded waterproofing

Advantages

With its sculptural design, Zentrix perfectly combines form and functionality. The solid stainless steel cover plate opens up inwards with a soft curve to form a gap through which the water drains away.

- Free positioning in the shower



Installation video:
dallmer.com/installation

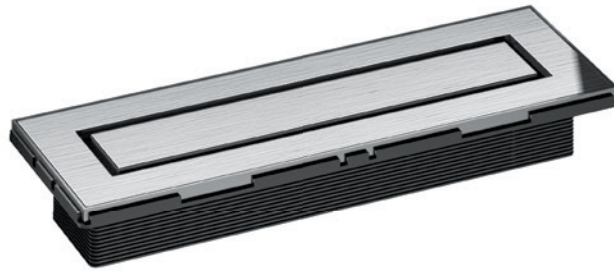


The exclusive and compact
shower channel for in-floor installation

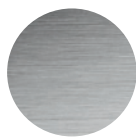




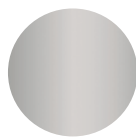
CeraNiveau
Black matt, PVD-coated



Materials and finishes



Stainless steel
matt



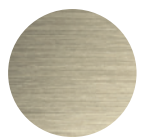
Stainless steel
polished



Black*
matt



Red gold*
matt



Brass*
matt

Suitable for drain bodies

DallFlex 115 / DallFlex / DallFlex Plan / DallFlex vertical / CeraFlex / CeraFlex Plan / CeraFlex vertical

Suitable for shower underlays

DallFlex Compact / DallFlex Compact Plan

Build-in height

with 45 mm drain body (vertical), 65 mm, 90 mm or 115 mm /
with DallFlex Compact Plan shower underlay from 80 mm

Dimension

300 × 100 mm

Suitable floor coverings

11 – 38 mm (incl. adhesive bed)

*PVD-coated



- ① Stainless steel cover plate
- ② Tile adhesive
- ③ Sealing sleeve DallFlex
- ④ Bonded waterproofing

Advantages

Visual elegance combined with inventive technology; that is CeraNiveau. This highly compact drainage system offers a pioneering yet individual concept for water drainage.

- Free positioning in the shower



Installation video:
dallmer.com/installation



CeraFrame Individual

Order overview page 74
Product range page 125

The customisable compact
shower channel for in-floor installation

CeraFrame Individual
with stainless steel frame that can be tiled







Cover plates

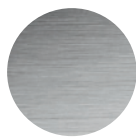


Individual:
Can be tiled



Design:
Cannot be tiled

Materials and finishes



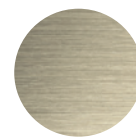
Stainless steel
matt



Black*
matt



Red gold*
matt



Brass*
matt

Suitable for drain bodies

DallFlex 115 / DallFlex / DallFlex Plan / DallFlex vertical / CeraFlex / CeraFlex Plan / CeraFlex vertical

Suitable for shower underlays

DallFlex Compact / DallFlex Compact Plan

Build-in height

with 45 mm drain body (vertical), 65 mm, 90 mm or 115 mm /
with DallFlex Compact Plan shower underlay from 80 mm

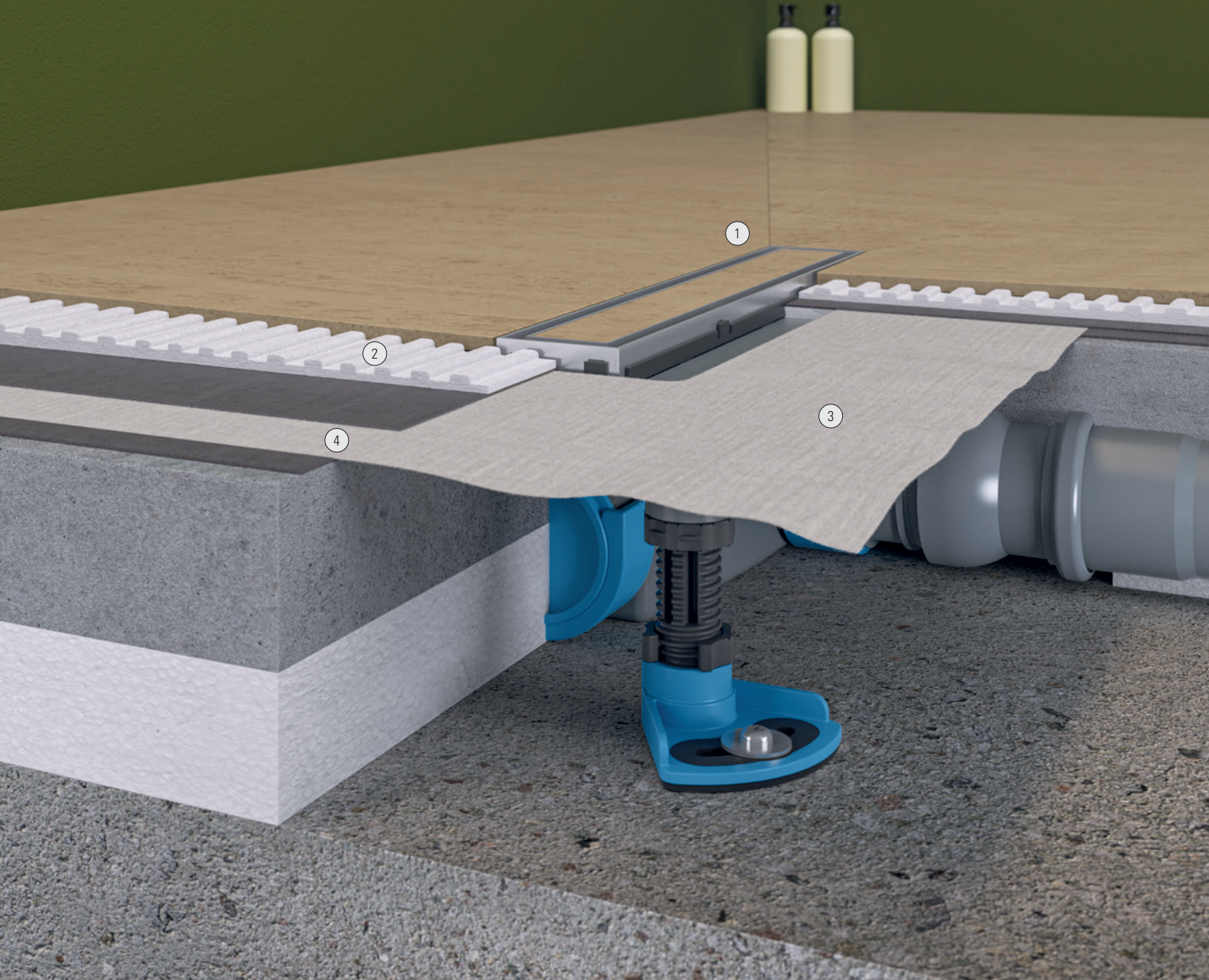
Dimension

300 × 50 mm

Suitable floor coverings

12 – 38 mm (incl. adhesive bed)

*PVD-coated



- ① Stainless steel frames that can be tiled
- ② Tile adhesive
- ③ Sealing sleeve DallFlex
- ④ Bonded waterproofing

Individual cover plate:
For tiling with individual floor coverings

Cover plate design:
All-purpose design in stainless steel, not to be tiled

Advantages

All you see of the CeraFrame Individual is a slim rectangle:
The compact shower channel provides sophisticated technology
in the most compact of forms – and offers numerous options for
individualisation.

- Free positioning in the shower



Installation video:
dallmer.com/installation



CeraFrame Liquid

Order overview page 74
Product range page 127

The new form of seamless aesthetics
makes functionality invisible.



CeraFrame Liquid





or ④



Material

Stainless steel

Suitable for drain bodies

DallFlex 115 / DallFlex / DallFlex Plan / DallFlex vertical / CeraFlex / CeraFlex Plan / CeraFlex vertical

Build height

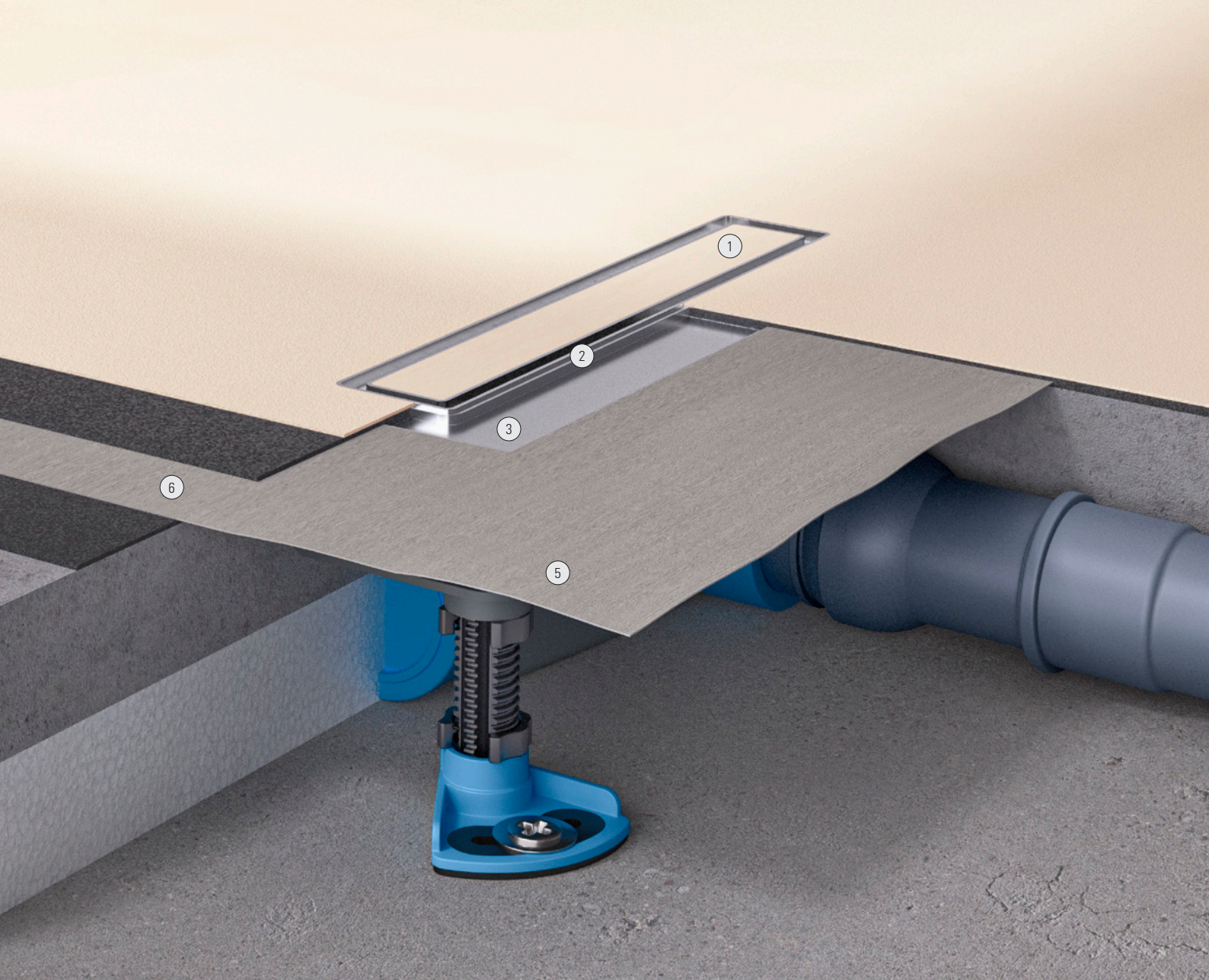
4.5 mm including waterproofing

Dimension

270 × 47 mm

Suitable floor coverings

Spatula-applied seamless thin-layer floor coverings from selected manufacturers



- ① CeraFrame Liquid coatable cover plate
- ② Two-stage levelling aid
- ③ CeraFrame Liquid shower channel
- ④ Available in an upright version (for installation with upright DallFlex drain bodies)
- ⑤ Sealing sleeve DallFlex
- ⑥ Bonded waterproofing

Advantages

CeraFrame Liquid is a new type of drainage system. The solid construction type, the fully closed channel contour and the watertight connection to the drain body DallFlex guarantee maximum safety for thin-layer floor coverings, and prevent the moisture from penetrating underneath the covering.

- Specifically developed for thin-layered, seamless filler systems
- Integrates ideally into the shower area as the cover plate is also filled with the thin-layer floor covering
- No more high layer thicknesses with long drying times thanks to the lower build-in height
- Solid construction
- Two-level troweling aid
- 100 % watertight connection to the drain body DallFlex, as per DIN 18534

Installation video:
dallmer.com/installation



05

Order overview

Page 69

The DallFlex system family

CeraWall Select



LENGTH	800 mm	900 mm	1000 mm	1100 mm	1200 mm	1300 mm
STAINLESS STEEL MATT	535245	535146	535153	535160	535177	536457
STAINLESS STEEL POLISHED	535252	535108	535115	535122	535139	536419
BLACK MATT	535283	535306	535313	535320	535337	–
RED GOLD MATT	535344	535351	535368	535375	535382	–
BRASS MATT	535399	535405	535412	535429	535436	–

CeraWall Individual



LENGTH	800 mm	900 mm	1000 mm	1100 mm	1200 mm	1300 mm
STAINLESS STEEL MATT	535269	535207	535214	535221	535238	536518
BLACK MATT	535603	535627	535634	535641	535658	–
RED GOLD MATT	536891	536907	536914	536921	536938	–
BRASS MATT	536945	536952	536969	536976	536983	–

Cover plates CeraWall Individual

Individual



Design



Natural Stone



SPECIFICATION	Individual	Design	Natural Stone
STAINLESS STEEL MATT	535023	535047	535030
BLACK MATT	537003	537010	–
RED GOLD MATT	537027	537034	–
BRASS MATT	537041	537058	–

CeraWall Pure



LÄNGE	900 mm	1000 mm	1200 mm
STAINLESS STEEL	538475	538482	538499

CeraWall Select Duo



LENGTH	1300 mm	1400 mm	1500 mm	1600 mm	1700 mm	1800 mm
STAINLESS STEEL MATT	536181	536198	536204	536211	536228	536235
STAINLESS STEEL POLISHED	536105	536112	536129	536136	536143	536150

CeraWall Individual Duo



LENGTH	1300 mm	1400 mm	1500 mm	1600 mm	1700 mm	1800 mm
STAINLESS STEEL MATT	536020	536037	536044	536051	536068	536075

Cover plates CeraWall Individual Duo

Individual



Design



Natural Stone



SPECIFICATION	Individual	Design	Natural Stone
STAINLESS STEEL MATT	535191	535092	535184

1400 mm	1500 mm
536464	536471
536426	536433
–	–
–	–
–	–

Drain body DallFlex



	DN 40	DN 50		DN 50 vertical
BUILT-IN HEIGHT	65 mm	90 mm	115 mm	45 mm (without mounting feet 30 mm)
PART NO.	539014	539007	539557	539076
FLOW RATE (with 10/20 mm water over cover plate)	0.48/0.5 l/s	0.74/0.8 l/s	0.8/1.1 l/s	0.8/1.0 l/s

+

or

1400 mm	1500 mm
536525	536532
–	–
–	–
–	–

Drain body DallFlex EPS assembled



	DN 40	DN 50
BUILT-IN HEIGHT	65 mm	90 mm
PART NO.	539311	539304
FLOW RATE (with 10/20 mm water over cover plate)	0.48/0.5 l/s	0.74/0.8 l/s

+

or

Drain body CeraFlex



	DN 40	DN 50	DN 50 vertical
BUILT-IN HEIGHT	65 mm	90 mm	45 mm (without mounting feet 30 mm)
PART NO.	537157	537140	537164
FLOW RATE (with 10/20 mm water over cover plate)	0.48/0.5 l/s	0.74/0.8 l/s	0.8/1.0 l/s

1900 mm	2000 mm
536242	536259
536167	536174

Drain body DallFlex Duo



	DN 40	DN 50	DN 50 vertical
BUILT-IN HEIGHT	65 mm	90 mm	45/30 mm (without mounting feet)
PART NO.	536501	536006	539083
FLOW RATE (with 10/20 mm water over cover plate)	0.6/0.86 l/s	0.9/1.45 l/s	1.2/2.35 l/s

1900 mm	2000 mm
536082	536099

+

The DallFlex system family

CeraFloor Select



LENGTH	800 mm	900 mm	1000 mm	1100 mm	1200 mm	1300 mm
STAINLESS STEEL MATT	538000	538024	538048	538055	538062	538079
STAINLESS STEEL POLISHED	538109	538123	538147	538154	538161	538178
BLACK MATT	538239	538253	538277	538284	538291	–
RED GOLD MATT	538307	538321	538345	538352	538369	–
BRASS MATT	538376	538390	538413	538420	538437	–

CeraFloor Individual



LENGTH	800 – 1500 mm
STAINLESS STEEL MATT	537478
BLACK MATT	537546
RED GOLD MATT	537645
BRASS MATT	537744

Cover plates CeraFloor Individual

Individual



Design



SPECIFICATION	Individual	Design
STAINLESS STEEL MATT	537379	537386
BLACK MATT	537553	537560
RED GOLD MATT	537652	537669
BRASS MATT	537751	537768

CeraFloor Pure



LENGTH	900 mm	1000 mm	1200 mm
STAINLESS STEEL	538208	538215	538222

CeraFloor Select Duo



LENGTH	1300 mm	1400 mm	1500 mm	1600 mm	1700 mm	1800 mm
STAINLESS STEEL MATT	537539	537577	537584	537591	537607	537614
STAINLESS STEEL POLISHED	537447	537454	537461	537485	537492	537508
BLACK MATT	537676	537683	537690	537706	537713	537720

1400 mm	1500 mm
538086	538093
538185	538192
—	—
—	—
—	—

Drain body DallFlex



	DN 40	DN 50		DN 50 vertical
BUILT-IN HEIGHT	65 mm	90 mm	115 mm	45 mm (without mounting feet 30 mm)
PART NO.	539014	539007	539557	539076
FLOW RATE (with 10/20 mm water over cover plate)	0.48/0.5 l/s	0.74/0.8 l/s	0.8/1.1 l/s	0.8/1.0 l/s



or

Drain body DallFlex EPS assembled



	DN 40	DN 50
BUILT-IN HEIGHT	65 mm	90 mm
PART NO.	539311	539304
FLOW RATE (with 10/20 mm water over cover plate)	0.48/0.5 l/s	0.74/0.8 l/s



or

Drain body CeraFlex



	DN 40	DN 50	DN 50 vertical
BUILT-IN HEIGHT	65 mm	90 mm	45 mm (without mounting feet 30 mm)
PART NO.	537157	537140	537164
FLOW RATE (with 10/20 mm water over cover plate)	0.48/0.5 l/s	0.74/0.8 l/s	0.8/1.0 l/s

Drain body DallFlex Duo



	DN 40	DN 50	DN 50 vertical
BUILT-IN HEIGHT	65 mm	90 mm	45/30 mm (without mounting feet)
PART NO.	536501	536006	539083
FLOW RATE (with 10/20 mm water over cover plate)	0.6/0.86 l/s	0.9/1.45 l/s	1.2/2.35 l/s



1900 mm	2000 mm
537621	537638
537515	537522
537737	537775

The DallFlex system family

Zentrix



LENGTH	300 x 50 mm
STAINLESS STEEL MATT	511317
STAINLESS STEEL POLISHED	511324
BLACK MATT	511331
RED GOLD MATT	511348
BRASS MATT	511355

CeraNiveau



LENGTH	300 x 100 mm
STAINLESS STEEL MATT	511362
STAINLESS STEEL POLISHED	511379
BLACK MATT	511386
RED GOLD MATT	511058
BRASS MATT	511065

CeraFrame Individual



LENGTH	300 x 50 mm
STAINLESS STEEL MATT	537331
BLACK MATT	537348
RED GOLD MATT	537355
BRASS MATT	537362

Cover plates CeraFrame Individual



SPECIFICATION	Individual	Design
STAINLESS STEEL MATT	537379	537386
BLACK MATT	537553	537560
RED GOLD MATT	537652	537669
BRASS MATT	537751	537768

CeraFrame Liquid Shower channel for thin-layer filler systems



LENGTH	270 x 47 mm
FOR DN 40/DN 50 LATERAL	537393
FOR DN 50 VERTICAL	537409

Drain body DallFlex



	DN 40	DN 50		DN 50 vertical
BUILT-IN HEIGHT	65 mm	90 mm	115 mm	45 mm (without mounting feet 30 mm)
PART NO.	539014	539007	539557	539076
FLOW RATE (with 10/20 mm water over cover plate)	0.48/0.5 l/s	0.74/0.8 l/s	0.8/1.1 l/s	0.8/1.0 l/s

+

or

Drain body DallFlex EPS assembled



	DN 40	DN 50
BUILT-IN HEIGHT	65 mm	90 mm
PART NO.	539311	539304
FLOW RATE (with 10/20 mm water over cover plate)	0.48/0.5 l/s	0.74/0.8 l/s

+

or

Drain body CeraFlex



	DN 40	DN 50	DN 50 vertical
BUILT-IN HEIGHT	65 mm	90 mm	45 mm (without mounting feet 30 mm)
PART NO.	537157	537140	537164
FLOW RATE (with 10/20 mm water over cover plate)	0.48/0.5 l/s	0.74/0.8 l/s	0.8/1.0 l/s

Shower underlay DalIFlex

CeraWall Select



LENGTH	900 mm	1000 mm	1200 mm
STAINLESS STEEL MATT	535146	535153	535177
STAINLESS STEEL POLISHED	535108	535115	535139
BLACK MATT	535306	535313	535337
RED GOLD MATT	535351	535368	535382
BRASS MATT	535405	535412	535436

CeraWall Individual



LENGTH	900 mm	1000 mm	1200 mm
STAINLESS STEEL MATT	535207	535214	535238
BLACK MATT	535627	535634	535658
RED GOLD MATT	536907	536914	536938
BRASS MATT	536952	536969	535665

Cover plates CeraWall Individual

Individual



Design



Natural Stone



SPECIFICATION	Individual	Design	Natural Stone
STAINLESS STEEL MATT	535023	535047	535030
BLACK MATT	537003	537010	–
RED GOLD MATT	537027	537034	–
BRASS MATT	537041	537058	–

CeraWall Pure



LENGTH	900 mm	1000 mm	1200 mm
STAINLESS STEEL	538475	538482	538499

CeraFloor Select



LENGTH	900 mm	1000 mm	1200 mm
STAINLESS STEEL MATT	538024	538048	538062
STAINLESS STEEL POLISHED	538123	538147	538161
BLACK MATT	538253	538277	538291
RED GOLD MATT	538321	538345	538369
BRASS MATT	538390	538413	538437

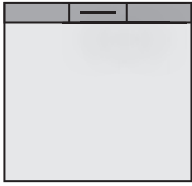
CeraFloor Pure



LENGTH	900 mm	1000 mm	1200 mm
STAINLESS STEEL	538208	538215	538222



DallFlex Wall



Standard, DN 50

DIMENSION	900 x 900 mm	1000 x 1000 mm	1200 x 1200 mm	900 x 1200 mm
BUILT-IN HEIGHT	105 mm	105 mm	105 mm	105 mm
PART NO.	540034	540058	540072	540065
FLOW RATE (with 10/20 mm water over cover plate)	0.74/0.8 l/s	0.74/0.8 l/s	0.74/0.8 l/s	0.74/0.8 l/s

Plan, DN 40

DIMENSION	900 x 900 mm	1000 x 1000 mm	1200 x 1200 mm	900 x 1200 mm
BUILT-IN HEIGHT	85 mm	85 mm	85 mm	85 mm
PART NO.	540003	540010	540027	540041
FLOW RATE (with 10/20 mm water over cover plate)	0.48/0.5 l/s	0.48/0.5 l/s	0.48/0.5 l/s	0.48/0.5 l/s

Shower underlay DaIFlex

CeraFloor Select



LENGTH	900 mm	1000 mm	1200 mm
STAINLESS STEEL MATT	538024	538048	538062
STAINLESS STEEL POLISHED	538123	538147	538161
BLACK MATT	538253	538277	538291
RED GOLD MATT	538321	538345	538369
BRASS MATT	538390	538413	538437

CeraFloor Individual



LENGTH	800 – 1500 mm
STAINLESS STEEL MATT	537478
BLACK MATT	537546
RED GOLD MATT	537645
BRASS MATT	537744

Cover plates CeraFloor Individual

Individual



Design



SPECIFICATION	Individual	Design
STAINLESS STEEL MATT	537379	537386
BLACK MATT	537553	537560
RED GOLD MATT	537652	537669
BRASS MATT	537751	537768

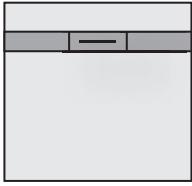
CeraFloor Pure



LENGTH	900 mm	1000 mm	1200 mm
STAINLESS STEEL	538208	538215	538222



DallFlex Floor



Standard, DN 50

DIMENSION	900 x 900 mm	1000 x 1000 mm	1200 x 1200 mm	900 x 1200 mm
BUILT-IN HEIGHT	105 mm	105 mm	105 mm	105 mm
PART NO.	540126	540140	540157	540164
FLOW RATE (with 10/20 mm water over cover plate)	0.74/0.8 l/s	0.74/0.8 l/s	0.74/0.8 l/s	0.74/0.8 l/s

Plan, DN 40

DIMENSION	900 x 900 mm	1000 x 1000 mm	1200 x 1200 mm	900 x 1200 mm
BUILT-IN HEIGHT	80 mm	80 mm	80 mm	80 mm
PART NO.	540089	540096	540102	540119
FLOW RATE (with 10/20 mm water over cover plate)	0.48/0.5 l/s	0.48/0.5 l/s	0.48/0.5 l/s	0.48/0.5 l/s

Shower underlay DalIFlex

Zentrix



LENGTH	300 x 50 mm
STAINLESS STEEL MATT	511317
STAINLESS STEEL POLISHED	511324
BLACK MATT	511331
RED GOLD MATT	511348
BRASS MATT	511355

CeraNiveau



LENGTH	300 x 100 mm
STAINLESS STEEL MATT	511362
STAINLESS STEEL POLISHED	511379
BLACK MATT	511386
RED GOLD MATT	511058
BRASS MATT	511065

CeraFrame Individual



LENGTH	300 x 50 mm
STAINLESS STEEL MATT	537331
BLACK MATT	537348
RED GOLD MATT	537355
BRASS MATT	537362

Cover plates CeraFrame Individual

Individual



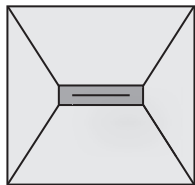
Design



SPECIFICATION	Individual	Design
STAINLESS STEEL MATT	537379	537386
BLACK MATT	537553	537560
RED GOLD MATT	537652	537669
BRASS MATT	537751	537768



DallFlex Compact



Standard, DN 50

DIMENSION	900 x 900 mm	1000 x 1000 mm	1200 x 1200 mm	900 x 1200 mm
BUILT-IN HEIGHT	105 mm	105 mm	105 mm	105 mm
PART NO.	540201	540218	540225	540232
FLOW RATE (with 10/20 mm water over cover plate)	0.74/0.8 l/s	0.74/0.8 l/s	0.74/0.8 l/s	0.74/0.8 l/s

Plan, DN 40

DIMENSION	900 x 900 mm	1000 x 1000 mm	1200 x 1200 mm	900 x 1200 mm
BUILT-IN HEIGHT	80 mm	80 mm	80 mm	80 mm
PART NO.	540133	540171	540188	540195
FLOW RATE (with 10/20 mm water over cover plate)	0.48/0.5 l/s	0.48/0.5 l/s	0.48/0.5 l/s	0.48/0.5 l/s

006

Product range

Page 83

Drain body DallFlex



DALLMER drain body DallFlex 115

conforming to DIN EN 1253

for installation with shower channels CeraWall, CeraFloor, CeraFrame Individual, Zentrix, CeraNiveau and CeraFrame Liquid. Outlet DN 50 horizontal, can be positioned on three sides without tools, with ball-joint, adjustable 0 – 15 degrees.

SPECIFICATION

- integrated anchors for extra grip in the screed
- flexible sealing collar for secure bonding of under-tile waterproofing (conforming to DIN 18534)
- accessories for sound insulated installation
- sound absorbing mounting feet for fixing and height adjustment 115 – 250 mm
- removable trap insert, 50 mm water seal (conforming to DIN EN 1253)
- hair sieve (can be used optionally)
- temporary blanking plate

MATERIAL

Polypropylene drain body and outlet, highly impact-resistant

FLOW RATE TESTED TO DIN EN 1253 (with 10/20 mm water over cover plate)

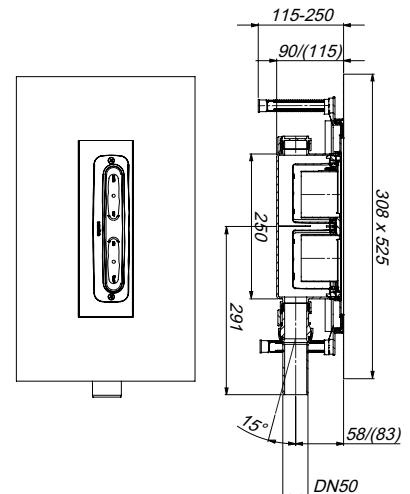
	Required	Dallmer
DN 50	0.8 l/s	0.8/1.1 l/s

ITEM	DN	PART NO.
drain body DallFlex 115	DN 50	539557

Build-in height 115 mm



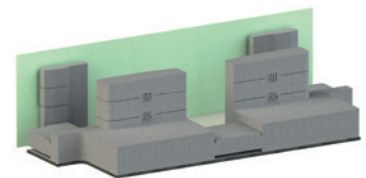
drain body DallFlex



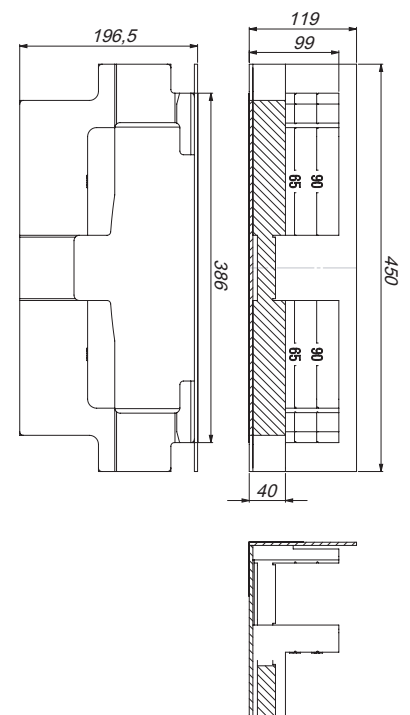
DALLMER sound-insulating element DallFlex 115

for use with drain body DallFlex 115 and shower channels CeraFloor, CeraWall, CeraFrame Individual, Zentrix, CeraNiveau and CeraFrame Liquid. Tested to conform to DIN 4109/VDI 4100, certificate P-BA 146/2015 (CeraFloor, CeraFrame Individual, Zentrix, CeraNiveau and CeraFrame Liquid) or P-BA 148/2015 (CeraWall).

ITEM	PART NO.
sound-insulating element DallFlex 115	538819



sound-insulating element DallFlex 115



Drain body DallFlex



DALLMER drain body DallFlex

conforming to DIN EN 1253

for installation with shower channels CeraWall, CeraFloor, CeraFrame Individual, Zentrix, CeraNiveau and CeraFrame Liquid. Outlet DN 50 horizontal, can be positioned on three sides without tools, with ball-joint, adjustable 0 – 15 degrees

SPECIFICATION

- integrated anchors for extra grip in the screed
- flexible sealing collar for secure bonding of under-tile waterproofing (conforming to DIN 18534)
- accessories for sound insulated installation
- sound absorbing mounting feet for fixing and height adjustment 90 – 250 mm
- removable trap insert, 50 mm water seal (conforming to DIN EN 1253)
- hair sieve (can be used optionally)
- temporary blanking plate

MATERIAL

Polypropylene drain body and outlet, highly impact-resistant

FLOW RATE TESTED TO DIN EN 1253 (with 10/20 mm water over cover plate)

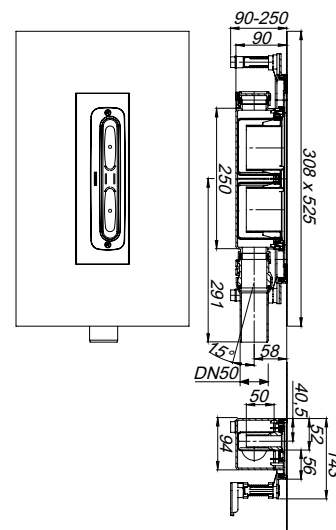
	Required	Dallmer
DN 50	0.8 l/s	0.74/0.8 l/s

ITEM	DN	PART NO.
drain body DallFlex	DN 50	539007

Build-in height 90 mm



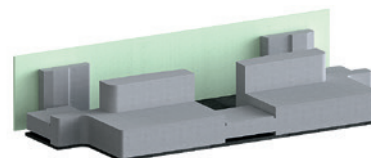
drain body DallFlex



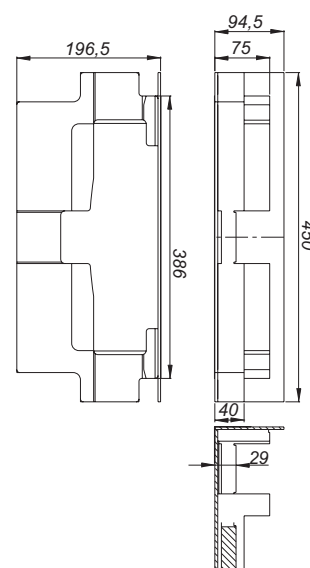
DALLMER sound-insulating element DallFlex/CeraFlex

for use with drain body DallFlex/CeraFlex and shower channels CeraFloor, CeraWall, CeraFrame Individual, Zentrix, CeraNiveau and CeraFrame Liquid. Tested to conform to DIN 4109/VDI 4100, certificate P-BA 146/2015 (CeraFloor, CeraFrame Individual, Zentrix and CeraNiveau) or P-BA 148/2015 (CeraWall).

ITEM	PART NO.
sound-insulating element DallFlex/CeraFlex	539090



sound-insulating element DallFlex/CeraFlex



Drain body DallFlex



DALLMER drain body DallFlex EPS assembled

conforming to DIN EN 1253

for installation with shower channels CeraWall, CeraFloor, CeraFrame Individual, Zentrix and CeraNiveau. Outlet DN 50 horizontal, can be positioned on three sides without tools, with ball-joint, adjustable 0 – 15 degrees

SPECIFICATION

- EPS factory assembled housing for easy adjustment and fixing with tile adhesive
- flexible sealing collar for secure bonding of under-tile waterproofing (conforming to DIN 18534)
- accessories for sound insulated installation
- sound absorbing and height adjustable levelling legs
- removable trap insert, 50 mm water seal (conforming to DIN EN 1253)
- hair sieve (can be used optionally)
- temporary blanking plate

MATERIAL

Polypropylene drain body and outlet, highly impact-resistant; housing expanded polystyrene rigid foam (EPS)

FLOW RATE TESTED TO DIN EN 1253 (with 10/20 mm water over cover plate)

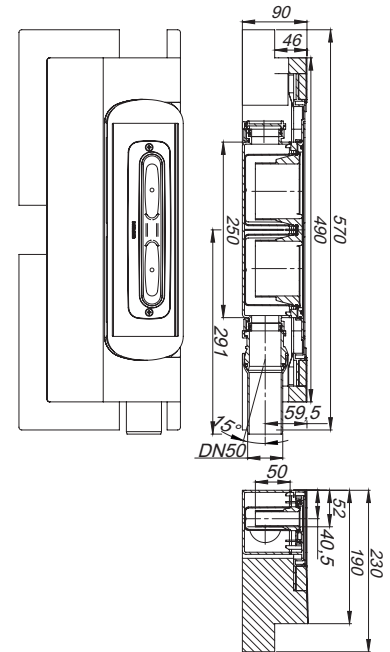
	Required	Dallmer
DN 50	0.8 l/s	0.74/0.8 l/s

ITEM	DN	PART NO.
drain body DallFlex EPS assembled	DN 50	539304

Build-in height 90 mm



drain body DallFlex EPS assembled



Drain body DallFlex Duo

DALLMER drain body DallFlex Duo

conforming to DIN EN 1253

for installation with shower channels CeraWall Select Duo, CeraWall Individual Duo and CeraFloor Select Duo. Two outlets DN 50 horizontal, can be positioned on three sides without tools, with ball-joint, adjustable 0 – 15 degrees

SPECIFICATION

- integrated anchors for extra grip in the screed
- flexible sealing collar for secure bonding of under-tile waterproofing (conforming to DIN 18534)
- accessories for sound insulated installation
- sound absorbing mounting feet for fixing and height adjustment 90 – 250 mm
- removable trap insert, 50 mm water seal (conforming to DIN EN 1253)
- hair sieve (can be used optionally)
- temporary blanking plate

MATERIAL

Polypropylene drain body and outlet, highly impact-resistant

FLOW RATE TESTED TO DIN EN 1253

(with 10/20 mm water over cover plate)

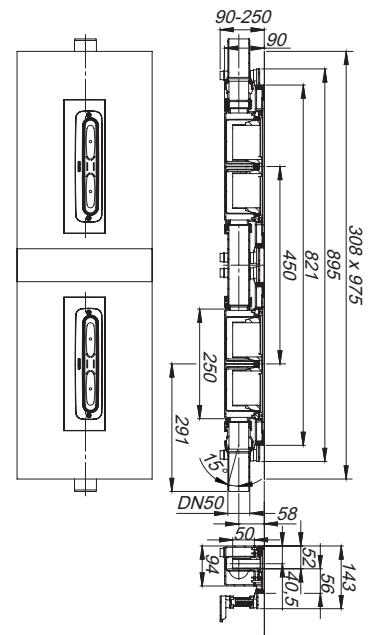
	Required	Dallmer
DN 50	0.8 l/s	0.9/1.45 l/s

ITEM	DN	PART NO.
drain body DallFlex Duo	DN 50	536006

Build-in height 90 mm



drain body DallFlex Duo



DALLMER sound-insulating element DallFlex Duo

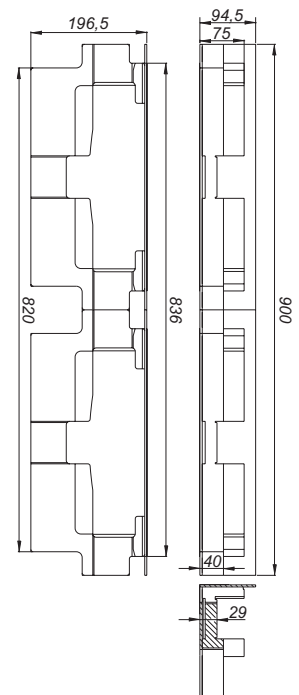
for use with drain body DallFlex Duo and shower channels CeraWall Select Duo, CeraWall Individual Duo and CeraFloor Select Duo.

Tested to conform to DIN 4109/VDI 4100, certificate P-BA 148/2015.

ITEM	PART NO.
sound-insulating element DallFlex Duo	539113



sound-insulating element DallFlex Duo



Drain body DallFlex



DALLMER drain body DallFlex Plan

for installation with shower channels CeraWall, CeraFloor, CeraFrame Individual, Zentrix, CeraNiveau and CeraFrame Liquid. Outlet DN 40 horizontal, can be positioned on three sides without tools, with ball-joint, adjustable 0 – 15 degrees

SPECIFICATION

- integrated anchors for extra grip in the screed
- flexible sealing collar for secure bonding of under-tile waterproofing (conforming to DIN 18534)
- accessories for sound insulated installation
- sound absorbing mounting feet for fixing and height adjustment 65 – 250 mm
- removable trap insert, 30 mm water seal (deviating to DIN EN 1253)
- hair sieve (can be used optionally)
- temporary blanking plate

MATERIAL

Polypropylene drain body and outlet, highly impact-resistant

FLOW RATE FOLLOWING DIN EN 1253 TAB. 3,
(with 10/20 mm water over cover plate)

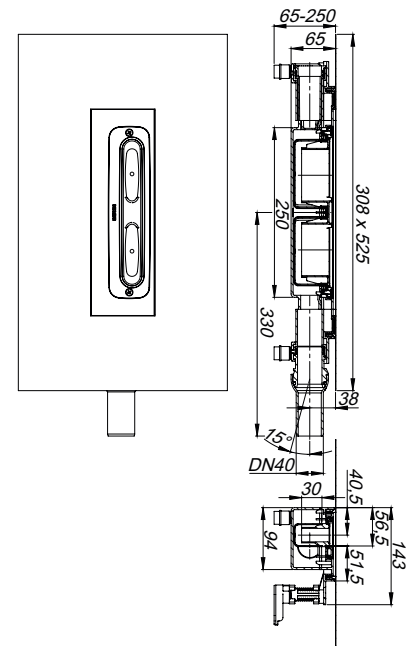
	Required	Dallmer
DN 40	0.4 l/s	0.48/0.5 l/s

ITEM	DN	PART NO.
drain body DallFlex Plan	DN 40	539014

Build-in height 65 mm



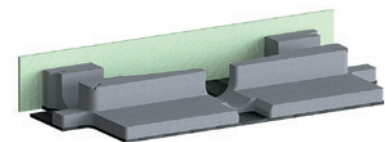
drain body DallFlex Plan



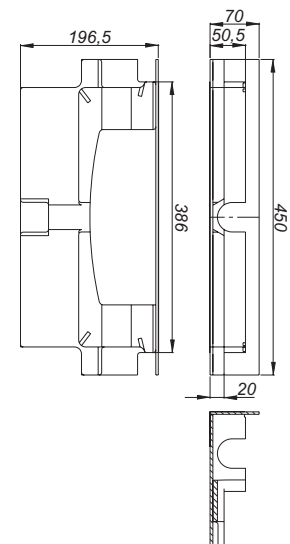
DALLMER sound-insulating element DallFlex Plan/CeraFlex Plan

for use with drain body DallFlex Plan/CeraFlex Plan and shower channels CeraFloor, CeraWall, CeraFrame Individual, Zentrix, CeraNiveau and CeraFrame Liquid. Tested to conform to DIN 4109/VDI 4100, certificate P-BA 142/2015 (CeraFloor, CeraWall Individual, CeraFrame, Zentrix, CeraNiveau and CeraFrame Liquid) and P-BA 144/2015 (CeraWall Select).

ITEM	PART NO.
sound-insulating element DallFlex Plan/CeraFlex Plan	539106



sound-insulating element
DallFlex Plan/CeraFlex Plan



Drain body DallFlex



DALLMER drain body DallFlex Plan EPS assembled

for installation with shower channels CeraFloor, CeraWall, CeraFrame Individual, Zentrix and CeraNiveau. Outlet DN 40 horizontal, can be positioned on three sides without tools, with ball-joint, adjustable 0 – 15 degrees

SPECIFICATION

- EPS factory assembled housing for easy adjustment and fixing with tile adhesive
- flexible sealing collar for secure bonding of under-tile waterproofing (conforming to DIN 18534)
- accessories for sound insulated installation
- sound absorbing and height adjustable levelling legs
- removable trap insert, 30 mm water seal (deviating to DIN EN 1253)
- hair sieve (can be used optionally)
- temporary blanking plate

MATERIAL

Polypropylene drain body and outlet, highly impact-resistant

FLOW RATE FOLLOWING DIN EN 1253 TAB. 3,
(with 10/20 mm water over cover plate)

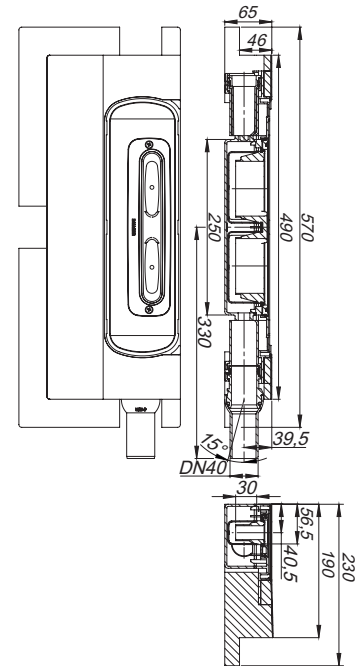
	Required	Dallmer
DN 40	0.4 l/s	0.48/0.5 l/s

ITEM	DN	PART NO.
drain body DallFlex Plan EPS assembled	DN 40	539311

Build-in height 65 mm



drain body DallFlex Plan EPS assembled



Drain body DallFlex Duo

DALLMER drain body DallFlex Duo Plan

for installation with shower channels CeraWall Select Duo, CeraWall Individual Duo and CeraFloor Select Duo. Two outlets DN 40 horizontal, can be positioned on three sides without tools, with ball-joint, adjustable 0 – 15 degrees

SPECIFICATION

- integrated anchors for extra grip in the screed
- flexible sealing collar for secure bonding of under-tile waterproofing (conforming to DIN 18534)
- accessories for sound insulated installation
- sound absorbing mounting feet for fixing and height adjustment 65 – 250 mm
- removable trap insert, 30 mm water seal (deviating to DIN EN 1253)
- hair sieve (can be used optionally)
- temporary blanking plate

MATERIAL

Polypropylene drain body and outlet, highly impact-resistant

FLOW RATE FOLLOWING DIN EN 1253 TAB. 3,
(with 10/20 mm water over cover plate)

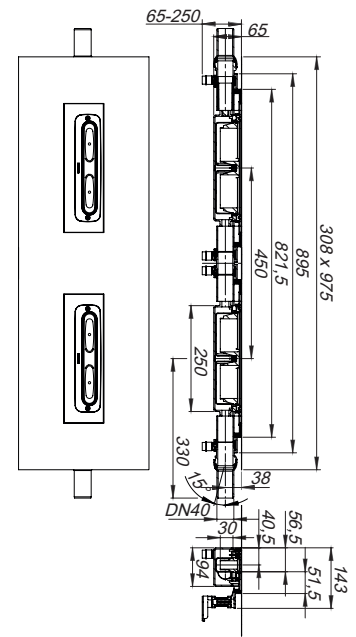
	Required	Dallmer
DN 40	0.8 l/s	0.6/0.86 l/s

ITEM	DN	PART NO.
drain body DallFlex Duo Plan	DN 40	536501

Build-in height 65 mm



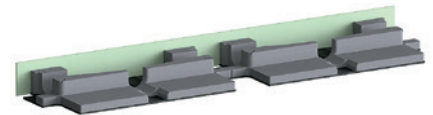
drain body DallFlex Duo Plan



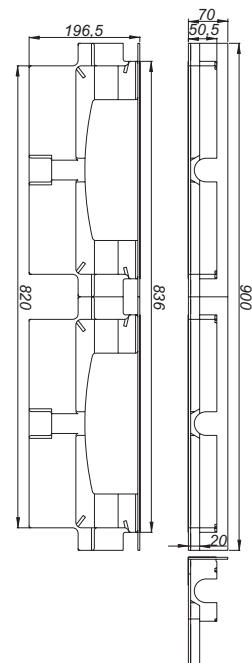
DALLMER sound-insulating element DallFlex Duo Plan

for use with drain body DallFlex Duo Plan and shower channels CeraWall Select Duo, CeraWall Individual Duo and CeraFloor Select Duo. Tested to conform to DIN 4109/VDI 4100, certificate P-BA 142/2015 (CeraWall Individual Duo) and P-BA 144/2015 (CeraWall Select Duo).

ITEM	PART NO.
sound-insulating element DallFlex Duo Plan	539120



sound-insulating element DallFlex Duo Plan



Drain body DallFlex



DALLMER drain body DallFlex vertical

conforming to DIN EN 1253

for installation with shower channels CeraWall, CeraFloor, CeraFrame Individual, Zentrix, CeraNiveau and CeraFrame Liquid vertical. Outlet DN 50 vertical

SPECIFICATION


- integrated anchors for extra grip in the screed
- flexible sealing collar for secure bonding of under-tile waterproofing (conforming to DIN 18534)
- accessories for sound insulated installation
- sound absorbing mounting feet for fixing and height adjustment 45 – 250 mm
- removable trap insert, 50 mm water seal (conforming to DIN EN 1253)
- hair sieve (can be used optionally)
- temporary blanking plate

MATERIAL

Polypropylene drain body and outlet, highly impact-resistant

FLOW RATE TESTED TO DIN EN 1253
(with 10/20 mm water over cover plate)

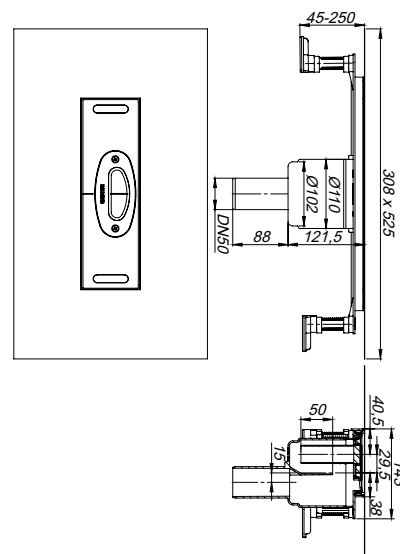
	Required	Dallmer
DN 50	0.8 l/s	0.8/1.0 l/s

ITEM	DN	PART NO.
 drain body DallFlex vertical	DN 50	539076

Build-in height 45 mm
(without mounting feet 30 mm)



drain body DallFlex vertical



core drill: d: 120 mm

core drill for fire and sound-insulating collar 11:
d: 157 – 177 mm

DALLMER fire and sound-insulating collar – installation kit 11

used with floor drain bodies DallFlex vertical and floor drain bodies CeraFlex vertical.
For F 30/60/90/120 rated floors.

SPECIFICATION

- insertion element
- intumescent material
- built-in hangers
- mounting accessories
- mortar guard
- blanking plate

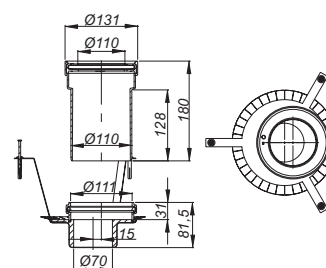
Connects to:

Plastic pipework DN 50 with couplings,
cast iron pipework DN 50 with DALLMER HT/SML pipe coupling DN 50/DN 50 (part-no. 880024)

ITEM	DN	PART NO.
fire and sound-insulating collar – installation kit 11	DN 50	515308



fire + sound-insulating collar – installation kit 11



core drill: d: 157 – 177 mm

Drain body DallFlex Duo

DALLMER drain body DallFlex Duo vertical

conforming to DIN EN 1253

for installation with shower channels CeraWall Select Duo, CeraWall Individual Duo and CeraFloor Select Duo. Two drain bodies, two outlets DN 50 vertical

SPECIFICATION


- integrated anchors for extra grip in the screed
- flexible sealing collar for secure bonding of under-tile waterproofing (conforming to DIN 18534)
- accessories for sound insulated installation
- sound absorbing mounting feet for fixing and height adjustment 45 – 250 mm
- removable trap insert, 50 mm water seal (conforming to DIN EN 1253)
- hair sieve (can be used optionally)
- temporary blanking plate

MATERIAL

Polypropylene drain body and outlet, highly impact-resistant

FLOW RATE TESTED TO DIN EN 1253 (with 10/20 mm water over cover plate)

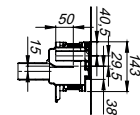
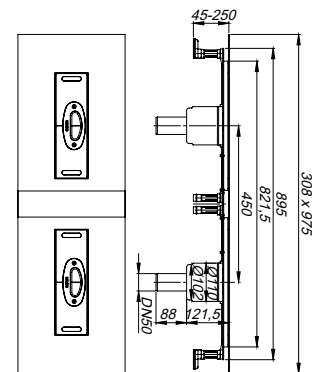
	Required	Dallmer
DN 50	0.8 l/s	1.2/2.35 l/s

ITEM	DN	PART NO.
 drain body DallFlex Duo vertical	DN 50	539083

Build-in height 45 mm/30 mm
(without mounting feet)



drain body DallFlex Duo vertical



core drill: d: 120 mm

core drill for fire and sound-insulating collar 11 Duo:
d: 157 – 177 mm

DALLMER fire and sound-insulating collar – installation kit 11 Duo

used with floor drain bodies DallFlex Duo vertical. For F 30/60/90/120 rated floors.

SPECIFICATION

- insertion element
- intumescent material
- built-in hangers
- mounting accessories
- mortar guard
- blanking plate

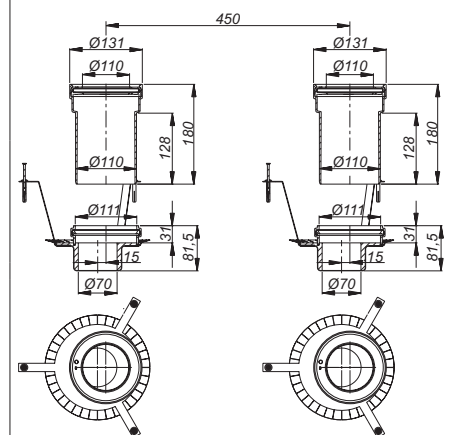
Connects to:

Plastic pipework DN 50 with couplings,
cast iron pipework DN 50 with DALLMER HT/SML pipe coupling DN 50/DN 50 (part-no. 880024)

ITEM	DN	PART NO.
fire and sound-insulating collar – installation kit 11 Duo	DN 50	515315



fire + sound-insulating collar –
installation kit 11 Duo



core drill: d: 157 – 177 mm

Drain body CeraFlex

DALLMER drain body CeraFlex

conforming to DIN EN 1253

for installation with shower channels CeraWall, CeraFloor, CeraFrame, Zentrix, CeraNiveau and CeraFrame Liquid. Outlet DN 50 horizontal, can be positioned on three sides without tools, with ball-joint, adjustable 0 – 15 degrees.

SPECIFICATION

- polymer concrete collar with steel mesh reinforcement
- flexible sealing collar for secure bonding of under-tile waterproofing (conforming to DIN 18534)
- accessories for sound insulated installation
- sound absorbing mounting feet for fixing and height adjustment 90 – 240 mm
- removable trap insert, 50 mm water seal (conforming to DIN EN 1253)
- hair sieve (can be used optionally)
- temporary blanking plate

MATERIAL

Polypropylene drain body and outlet, highly impact-resistant

FLOW RATE TESTED TO DIN EN 1253

(with 10/20 mm water over cover plate)

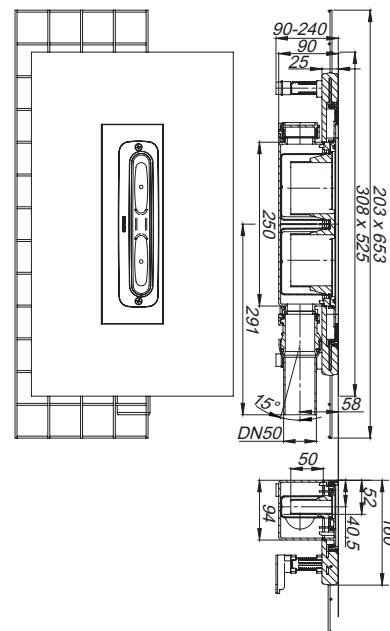
	Required	Dallmer
DN 50	0.8 l/s	0.74/0.8 l/s

ITEM	DN	PART NO.
drain body CeraFlex	DN 50	537140

Build-in height 90 mm



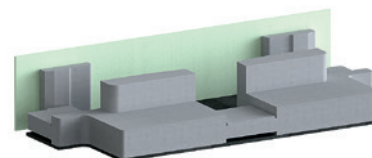
drain body CeraFlex



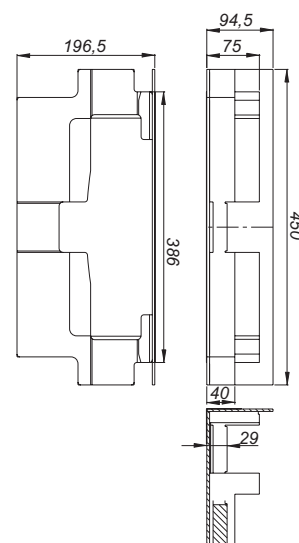
DALLMER sound-insulating element DallFlex/CeraFlex

for use with drain body DallFlex/CeraFlex and shower channels CeraFloor, CeraWall, CeraFrame Individual, Zentrix, CeraNiveau and CeraFrame Liquid. Tested to conform to DIN 4109/VDI 4100, certificate P-BA 146/2015 (CeraFloor, CeraFrame Individual, Zentrix and CeraNiveau) or P-BA 148/2015 (CeraWall).

ITEM	PART NO.
sound-insulating element DallFlex/CeraFlex	539090



sound-insulating element DallFlex/CeraFlex



Drain body CeraFlex

DALLMER drain body CeraFlex Plan

for installation with shower channels CeraWall, CeraFloor, CeraFrame, Zentrix, CeraNiveau and CeraFrame Liquid. Outlet DN 40 horizontal, can be positioned on three sides without tools, with ball-joint, adjustable 0 – 15 degrees.

SPECIFICATION

- polymer concrete collar with steel mesh reinforcement
- flexible sealing collar for secure bonding of under-tile waterproofing (conforming to DIN 18534)
- accessories for sound insulated installation
- sound absorbing mounting feet for fixing and height adjustment 65 – 240 mm
- removable trap insert, 30 mm water seal (deviating to DIN EN 1253)
- hair sieve (can be used optionally)
- temporary blanking plate

MATERIAL

Polypropylene drain body and outlet, highly impact-resistant

FLOW RATE FOLLOWING DIN EN 1253 TAB. 3,
(with 10/20 mm water over cover plate)

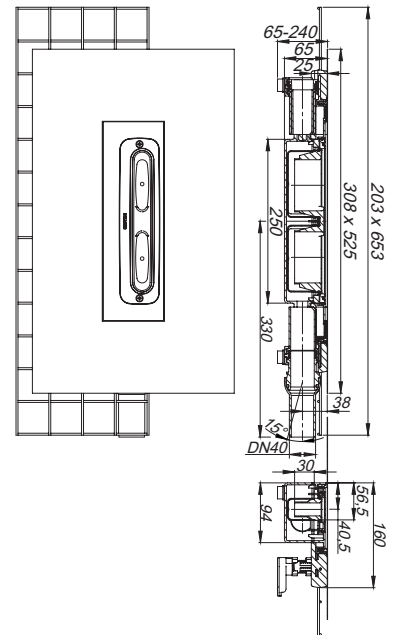
	Required	Dallmer
DN 40	0.4 l/s	0.48/0.5 l/s

ITEM	DN	PART NO.
drain body CeraFlex Plan	DN 40	537157

Build-in height 65 mm



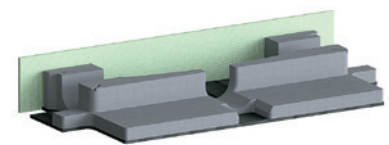
drain body CeraFlex Plan



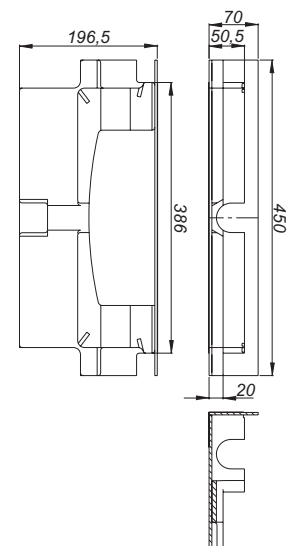
DALLMER sound-insulating element DallFlex Plan/CeraFlex Plan

for use with drain body DallFlex Plan/CeraFlex Plan and shower channels CeraFloor, CeraWall, CeraFrame Individual, Zentrix, CeraNiveau and CeraFrame Liquid. Tested to conform to DIN 4109/VDI 4100, certificate P-BA 142/2015 (CeraFloor, CeraWall Individual, CeraFrame, Zentrix, CeraNiveau and CeraFrame Liquid) and P-BA 144/2015 (CeraWall Select).

ITEM	PART NO.
sound-insulating element DallFlex Plan/CeraFlex Plan	539106



sound-insulating element
DallFlex Plan/CeraFlex Plan



Drain body CeraFlex

DALLMER drain body CeraFlex vertical

conforming to DIN EN 1253

for installation with shower channels CeraWall, CeraFloor, CeraFrame, Zentrix, CeraNiveau and CeraFrame Liquid vertical. Outlet DN 50 vertical.

SPECIFICATION


- polymer concrete collar with steel mesh reinforcement
- flexible sealing collar for secure bonding of under-tile waterproofing (conforming to DIN 18534)
- accessories for sound insulated installation
- sound absorbing mounting feet for fixing and height adjustment 45 – 240 mm
- removable trap insert, 50 mm water seal (conforming to DIN EN 1253)
- hair sieve (can be used optionally)
- temporary blanking plate

MATERIAL

Polypropylene drain body and outlet, highly impact-resistant

FLOW RATE TESTED TO DIN EN 1253 (with 10/20 mm water over cover plate)

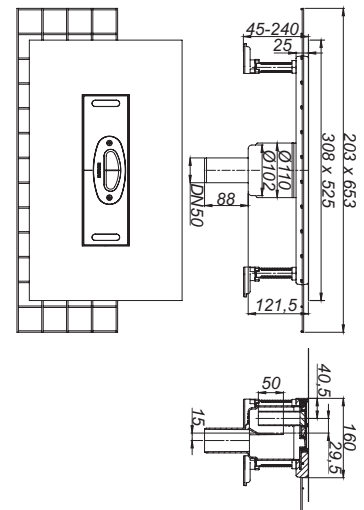
	Required	Dallmer
DN 50	0.8 l/s	0.8/1.0 l/s

ITEM	DN	PART NO.
 drain body CeraFlex vertical	DN 50	537164

Build-in height 45 mm
(without mounting feet 30 mm)



drain body CeraFlex vertical



DALLMER fire and sound-insulating collar – installation kit 11

used with floor drain bodies DallFlex vertical and floor drain bodies CeraFlex vertical.
For F 30/60/90/120 rated floors.

SPECIFICATION

- insertion element
- intumescent material
- built-in hangers
- mounting accessories
- mortar guard
- blanking plate

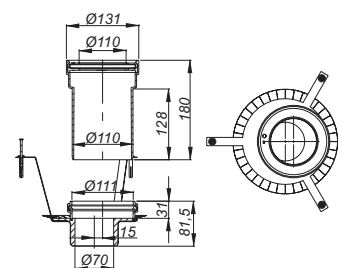
Connects to:

Plastic pipework DN 50 with couplings,
cast iron pipework DN 50 with DALLMER HT/SML pipe coupling DN 50/DN 50 (part-no. 880024)

ITEM	DN	PART NO.
fire and sound-insulating collar – installation kit 11	DN 50	515308



fire and sound-insulating collar – installation kit 11



Shower underlay DallFlex Wall

DALLMER shower underlay DallFlex Wall

conforming to DIN EN 1253

with drain point positioned against the wall for installation with CeraWall Select/Individual, CeraFloor Select/Pure. Outlet DN 50 horizontal, can be positioned on three sides without tools, with ball-joint, adjustable 0 – 15 degrees

SPECIFICATION

- DallFlex drain body system as per DIN EN 1253
- flexible sealing collar for secure bonding of under-tile waterproofing (conforming to DIN 18534)
- removable trap insert, 50 mm water seal (conforming to DIN EN 1253)
- hair sieve (can be used optionally)
- temporary blanking plate
- suitable for wheelchairs if tile size > 5 x 5 cm

MATERIAL

expanded polystyrene (EPS), top side reinforced with glass fibre fabric and lined with waterproof fleece; polypropylene drain body and outlet, highly impact-resistant

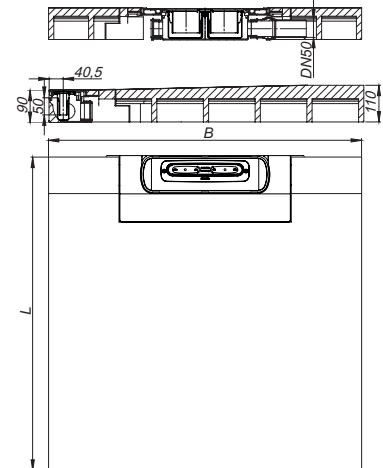
FLOW RATE TESTED TO DIN EN 1253 (with 10/20 mm water over cover plate)

	Required	Dallmer
DN 50	0.8 l/s	0.74/0.8 l/s

ITEM	DN	B x L	PART NO.
shower underlay DallFlex Wall	DN 50	900 x 900 mm	540034
shower underlay DallFlex Wall	DN 50	1000 x 1000 mm	540058
shower underlay DallFlex Wall	DN 50	1200 x 1200 mm	540072
shower underlay DallFlex Wall	DN 50	900 x 1200 mm	540065



shower underlay DallFlex Wall



DALLMER sound-insulating shower underlay DallFlex Wall

conforming to DIN EN 1253

with drain point positioned against the wall for installation with CeraWall Select/Individual, CeraFloor Select/Pure. If installed as per test report, suitable to meet increased sound insulation requirements conforming to DIN 4109 and VDI 4100. Outlet DN 50 horizontal, can be positioned on three sides without tools, with ball-joint, adjustable 0 – 15 degrees

SPECIFICATION

- DallFlex drain body system as per DIN EN 1253
- flexible sealing collar for secure bonding of under-tile waterproofing (conforming to DIN 18534)
- removable trap insert, 50 mm water seal (conforming to DIN EN 1253)
- hair sieve (can be used optionally)
- temporary blanking plate
- suitable for wheelchairs if tile size > 5 x 5 cm

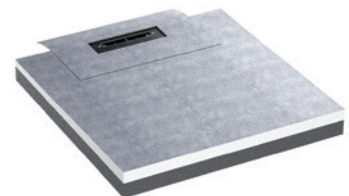
MATERIAL

expanded polystyrene (EPS), top side reinforced with glass fibre fabric and lined with waterproof fleece; polypropylene drain body and outlet, highly impact-resistant

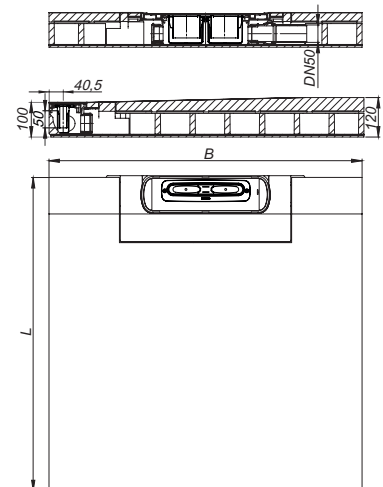
FLOW RATE TESTED TO DIN EN 1253 (with 10/20 mm water over cover plate)

	Required	Dallmer
DN 50	0.8 l/s	0.74/0.8 l/s

ITEM	DN	B x L	PART NO.
sound-insulating shower underlay DallFlex Wall	DN 50	900 x 900 mm	540249
sound-insulating shower underlay DallFlex Wall	DN 50	1000 x 1000 mm	540256
sound-insulating shower underlay DallFlex Wall	DN 50	1200 x 1200 mm	540263
sound-insulating shower underlay DallFlex Wall	DN 50	900 x 1200 mm	540270



sound-insulating shower underlay DallFlex Wall



Shower underlay DallFlex Wall/Floor

DALLMER shower underlay DallFlex Wall Plan

With drain point positioned against the wall for installation with CeraWall Select/Individual, CeraFloor Select/Pure. Outlet DN 40 horizontal, can be positioned on three sides without tools, with ball-joint, adjustable 0 – 15 degrees

SPECIFICATION

- DallFlex Plan drain body system
- flexible sealing collar for secure bonding of under-tile waterproofing (conforming to DIN 18534)
- removable trap insert, 30 mm water seal (deviating to DIN EN 1253)
- hair sieve (can be used optionally)
- temporary blanking plate
- suitable for wheelchairs if tile size > 5 x 5 cm

MATERIAL

expanded polystyrene (EPS), top side reinforced with glass fibre fabric and lined with waterproof fleece; polypropylene drain body and outlet, highly impact-resistant

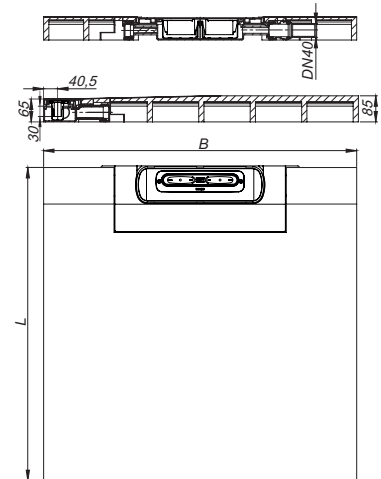
FLOW RATE TESTED TO DIN EN 1253 TAB. 3, (with 10/20 mm water over cover plate) conforming to DIN EN 274

	Required	Dallmer
DN 40	0.4 l/s	0.48/0.5 l/s

ITEM	DN	B x L	PART NO.
shower underlay DallFlex Wall Plan	DN 40	900 x 900 mm	540003
shower underlay DallFlex Wall Plan	DN 40	1000 x 1000 mm	540010
shower underlay DallFlex Wall Plan	DN 40	1200 x 1200 mm	540027
shower underlay DallFlex Wall Plan	DN 40	900 x 1200 mm	540041



shower underlay DallFlex Wall Plan



DALLMER shower underlay DallFlex Floor

conforming to DIN EN 1253

with drain point positioned near the wall for installation with CeraFloor Select, Individual and Pure. Outlet DN 50 horizontal, can be positioned on three sides without tools, with ball-joint, adjustable 0 – 15 degrees

SPECIFICATION

- DallFlex drain body system as per DIN EN 1253
- flexible sealing collar for secure bonding of under-tile waterproofing (conforming to DIN 18534)
- removable trap insert, 50 mm water seal (conforming to DIN EN 1253)
- hair sieve (can be used optionally)
- temporary blanking plate
- suitable for wheelchairs if tile size > 5 x 5 cm

MATERIAL

expanded polystyrene (EPS), top side reinforced with glass fibre fabric and lined with waterproof fleece; polypropylene drain body and outlet, highly impact-resistant

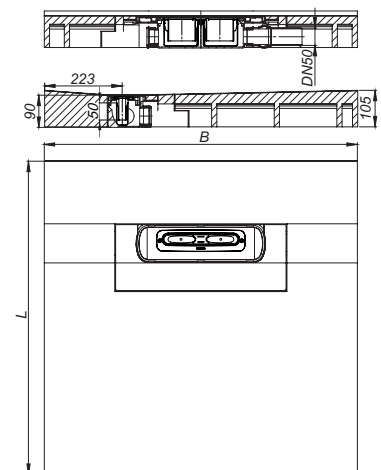
FLOW RATE TESTED TO DIN EN 1253
(with 10/20 mm water over cover plate)

	Required	Dallmer
DN 50	0.8 l/s	0.74/0.8 l/s

ITEM	DN	B x L	PART NO.
shower underlay DallFlex Floor	DN 50	900 x 900 mm	540126
shower underlay DallFlex Floor	DN 50	1000 x 1000 mm	540140
shower underlay DallFlex Floor	DN 50	1200 x 1200 mm	540157
shower underlay DallFlex Floor	DN 50	900 x 1200 mm	540164



shower underlay DallFlex Floor



Shower underlay DallFlex Floor

DALLMER sound-insulating shower underlay DallFlex Floor

conforming to DIN EN 1253

with drain point positioned near the wall for installation with CeraFloor Select, Individual and Pure. If installed as per test report, suitable to meet increased sound insulation requirements conforming to DIN 4109 and VDI 4100. Outlet DN 50 horizontal, can be positioned on three sides without tools, with ball-joint, adjustable 0 – 15 degrees

SPECIFICATION

- DallFlex drain body system as per DIN EN 1253
- flexible sealing collar for secure bonding of under-tile waterproofing (conforming to DIN 18534)
- removable trap insert, 50 mm water seal (conforming to DIN EN 1253)
- hair sieve (can be used optionally)
- temporary blanking plate
- suitable for wheelchairs if tile size > 5 x 5 cm

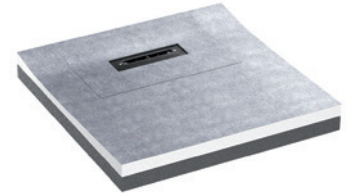
MATERIAL

expanded polystyrene (EPS), top side reinforced with glass fibre fabric and lined with waterproof fleece; polypropylene drain body and outlet, highly impact-resistant

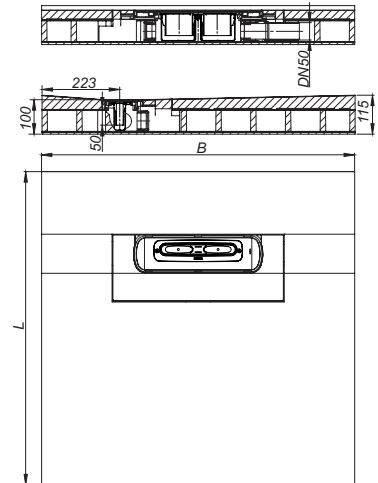
FLOW RATE TESTED TO DIN EN 1253 (with 10/20 mm water over cover plate)

	Required	Dallmer
DN 50	0.8 l/s	0.74/0.8 l/s

ITEM	DN	B x L	PART NO.
sound-insulating shower underlay DallFlex Floor	DN 50	900 x 900 mm	540287
sound-insulating shower underlay DallFlex Floor	DN 50	1000 x 1000 mm	540294
sound-insulating shower underlay DallFlex Floor	DN 50	1200 x 1200 mm	540300
sound-insulating shower underlay DallFlex Floor	DN 50	900 x 1200 mm	540317



sound-insulating shower underlay DallFlex Floor



DALLMER shower underlay DallFlex Floor Plan

With drain point positioned near the wall for installation with CeraFloor Select, Individual and Pure. Outlet DN 40 horizontal, can be positioned on three sides without tools, with ball-joint, adjustable 0 – 15 degrees

SPECIFICATION

- DallFlex Plan drain body system
- flexible sealing collar for secure bonding of under-tile waterproofing (conforming to DIN 18534)
- removable trap insert, 30 mm water seal (deviating to DIN EN 1253)
- hair sieve (can be used optionally)
- temporary blanking plate
- suitable for wheelchairs if tile size > 5 x 5 cm

MATERIAL

expanded polystyrene (EPS), top side reinforced with glass fibre fabric and lined with waterproof fleece; polypropylene drain body and outlet, highly impact-resistant

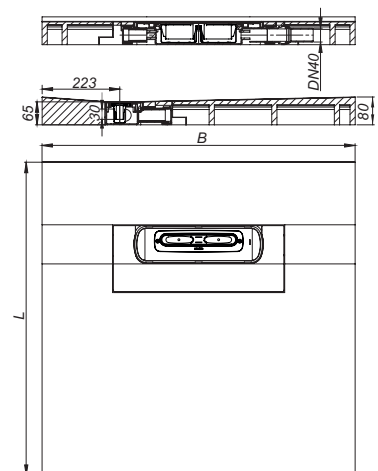
FLOW RATE TESTED TO DIN EN 1253 TAB. 3, (with 10/20 mm water over cover plate) conforming to DIN EN 274

	Required	Dallmer
DN 40	0.4 l/s	0.48/0.5 l/s

ITEM	DN	B x L	PART NO.
shower underlay DallFlex Floor Plan	DN 40	900 x 900 mm	540089
shower underlay DallFlex Floor Plan	DN 40	1000 x 1000 mm	540096
shower underlay DallFlex Floor Plan	DN 40	1200 x 1200 mm	540102
shower underlay DallFlex Floor Plan	DN 40	900 x 1200 mm	540119



shower underlay DallFlex Floor Plan



Shower underlay DallFlex Compact

DALLMER shower underlay DallFlex Compact

conforming to DIN EN 1253

with drain point positioned centrally for installation with Zentrix, CeraNiveau and CeraFrame shower channels. Outlet DN 50 horizontal, can be positioned on three sides without tools, with ball-joint, adjustable 0 – 15 degrees

SPECIFICATION

- DallFlex drain body system as per DIN EN 1253
- flexible sealing collar for secure bonding of under-tile waterproofing (conforming to DIN 18534)
- removable trap insert, 50 mm water seal (conforming to DIN EN 1253)
- hair sieve (can be used optionally)
- temporary blanking plate
- suitable for wheelchairs if tile size > 5 x 5 cm

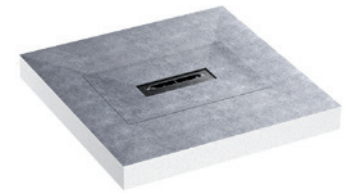
MATERIAL

expanded polystyrene (EPS), top side reinforced with glass fibre fabric and lined with waterproof fleece; polypropylene drain body and outlet, highly impact-resistant

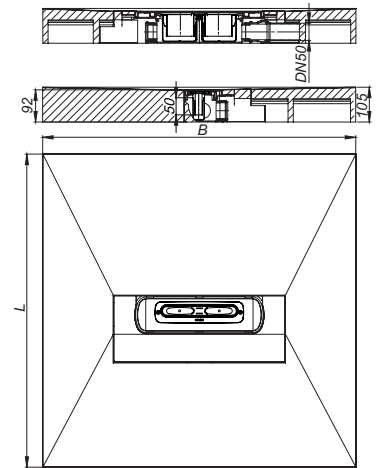
FLOW RATE TESTED TO DIN EN 1253 (with 10/20 mm water over cover plate)

	Required	Dallmer
DN 50	0.8 l/s	0.74/0.8 l/s

ITEM	DN	B x L	PART NO.
shower underlay DallFlex Compact	DN 50	900 x 900 mm	540201
shower underlay DallFlex Compact	DN 50	1000 x 1000 mm	540218
shower underlay DallFlex Compact	DN 50	1200 x 1200 mm	540225
shower underlay DallFlex Compact	DN 50	900 x 1200 mm	540232



shower underlay DallFlex Compact



DALLMER sound-insulating shower underlay DallFlex Compact

conforming to DIN EN 1253

with drain point positioned centrally for installation with Zentrix, CeraNiveau and CeraFrame shower channels. If installed as per test report, suitable to meet increased sound insulation requirements conforming to DIN 4109 and VDI 4100. Outlet DN 50 horizontal, can be positioned on three sides without tools, with ball-joint, adjustable 0 – 15 degrees

SPECIFICATION

- DallFlex drain body system as per DIN EN 1253
- flexible sealing collar for secure bonding of under-tile waterproofing (conforming to DIN 18534)
- removable trap insert, 50 mm water seal (conforming to DIN EN 1253)
- hair sieve (can be used optionally)
- temporary blanking plate
- suitable for wheelchairs if tile size > 5 x 5 cm

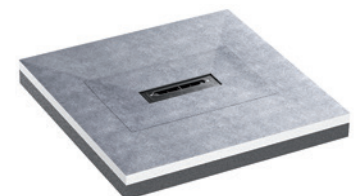
MATERIAL

expanded polystyrene (EPS), top side reinforced with glass fibre fabric and lined with waterproof fleece; polypropylene drain body and outlet, highly impact-resistant

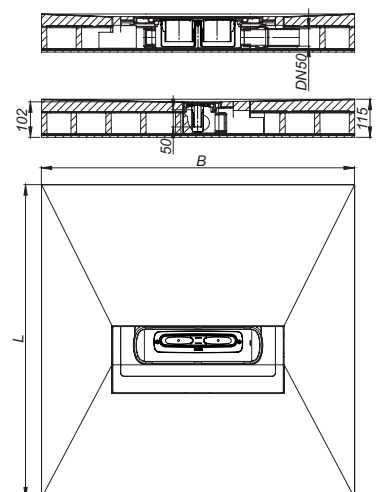
FLOW RATE TESTED TO DIN EN 1253 (with 10/20 mm water over cover plate)

	Required	Dallmer
DN 50	0.8 l/s	0.74/0.8 l/s

ITEM	DN	B x L	PART NO.
sound-insulating shower underlay DallFlex Compact	DN 50	900 x 900 mm	540324
sound-insulating shower underlay DallFlex Compact	DN 50	1000 x 1000 mm	540331
sound-insulating shower underlay DallFlex Compact	DN 50	1200 x 1200 mm	540348
sound-insulating shower underlay DallFlex Compact	DN 50	900 x 1200 mm	540355



sound-insulating shower underlay DallFlex Compact



Shower underlay DallFlex Compact

DALLMER shower underlay DallFlex Compact Plan

With drain point positioned centrally for installation with Zentrix, CeraNiveau and CeraFrame shower channels. Outlet DN 40 horizontal, can be positioned on three sides without tools, with ball-joint, adjustable 0 – 15 degrees

SPECIFICATION

- DallFlex Plan drain body system
- flexible sealing collar for secure bonding of under-tile waterproofing (conforming to DIN 18534)
- removable trap insert, 30 mm water seal (deviating to DIN EN 1253)
- hair sieve (can be used optionally)
- temporary blanking plate
- suitable for wheelchairs if tile size > 5 x 5 cm

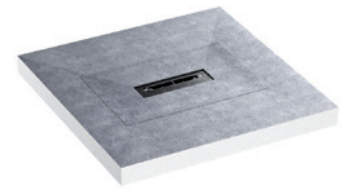
MATERIAL

expanded polystyrene (EPS), top side reinforced with glass fibre fabric and lined with waterproof fleece; polypropylene drain body and outlet, highly impact-resistant

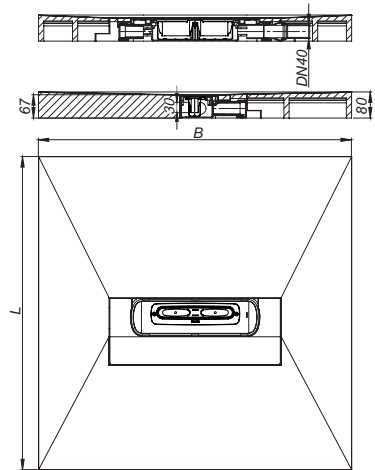
FLOW RATE TESTED TO DIN EN 1253 TAB. 3, (with 10/20 mm water over cover plate) conforming to DIN EN 274

	Required	Dallmer
DN 40	0.4 l/s	0.48/0.5 l/s

ITEM	DN	B x L	PART NO.
shower underlay DallFlex Compact Plan	DN 40	900 x 900 mm	540133
shower underlay DallFlex Compact Plan	DN 40	1000 x 1000 mm	540171
shower underlay DallFlex Compact Plan	DN 40	1200 x 1200 mm	540188
shower underlay DallFlex Compact Plan	DN 40	900 x 1200 mm	540195



shower underlay DallFlex Compact Plan

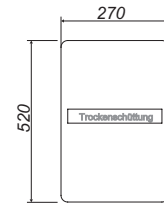


DALLMER sound-insulating dry fill material

Accessories for DallFlex sound-insulating shower underlay.

Volume		
Shower underlay dimensions	kg	No. of bags
900 x 900 mm	42.52	2
900 x 1200 mm	59.64	3
1000 x 1000 mm	54.58	3
1200 x 1200 mm	82.49	4

ITEM	AMOUNT	PART NO.
sound-insulating dry fill material	22.5 kg	540362



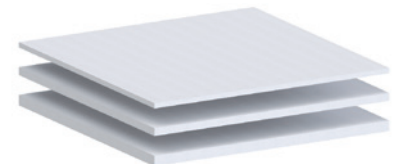
DALLMER supportset shower underlay DallFlex

For height adjustment of DallFlex shower underlays. Three combinable shower bases with a height of 20, 30 and 40 mm.

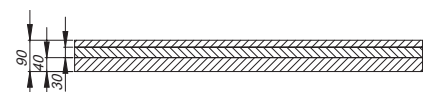
MATERIAL

rigid expanded polystyrene (EPS) foam

ITEM	DIMENSION	PART NO.
supportset shower underlay DallFlex	900 x 900 mm	540393
supportset shower underlay DallFlex	1000 x 1000 mm	540409
supportset shower underlay DallFlex	1200 x 1200 mm	540416
supportset shower underlay DallFlex	900 x 1200 mm	540423



supportset shower underlay DallFlex



Shower channel CeraWall Select

DALLMER shower channel CeraWall Select satin stainless steel

for installation with all drain bodies CeraFlex, DallFlex and all shower underlays DallFlex Wall. Drainage-strip with engineered precision fall, visibly installed at the junction of wall and floor. Suitable for floor finish of 10 – 24 mm and wall finish of 12 – 24 mm (including adhesive), length can be adjusted by one millimeter.

SPECIFICATION

- cover plate
- self-adhesive security tape S 3 with cut-resistant stainless steel mesh and sound insulation
- accessories for installation and positioning
- temporary blanking plate

MATERIAL

304 stainless steel, 5 mm solid, satin finished, load class K 3 (300 kg)

ITEM	LENGTH	PART NO.
shower channel CeraWall Select satin stainless steel	800 mm	535245
shower channel CeraWall Select satin stainless steel	900 mm	535146
shower channel CeraWall Select satin stainless steel	1000 mm	535153
shower channel CeraWall Select satin stainless steel	1100 mm	535160
shower channel CeraWall Select satin stainless steel	1200 mm	535177
shower channel CeraWall Select satin stainless steel	1300 mm	536457
shower channel CeraWall Select satin stainless steel	1400 mm	536464
shower channel CeraWall Select satin stainless steel	1500 mm	536471

DALLMER shower channel CeraWall Select polished stainless steel

for installation with all drain bodies CeraFlex, DallFlex and all shower underlays DallFlex Wall. Drainage-strip with engineered precision fall, visibly installed at the junction of wall and floor. Suitable for floor finish of 10 – 24 mm and wall finish of 12 – 24 mm (including adhesive), length can be adjusted by one millimeter.

SPECIFICATION

- cover plate
- self-adhesive security tape S 3 with cut-resistant stainless steel mesh and sound insulation
- accessories for installation and positioning
- temporary blanking plate

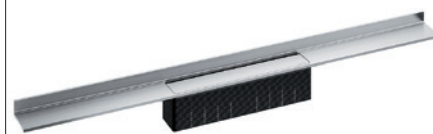
MATERIAL

304 stainless steel, 5 mm solid, mirror polished, load class K 3 (300 kg)

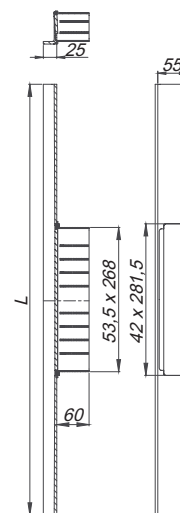
ITEM	LENGTH	PART NO.
shower channel CeraWall Select polished stainless steel	800 mm	535252
shower channel CeraWall Select polished stainless steel	900 mm	535108
shower channel CeraWall Select polished stainless steel	1000 mm	535115
shower channel CeraWall Select polished stainless steel	1100 mm	535122
shower channel CeraWall Select polished stainless steel	1200 mm	535139
shower channel CeraWall Select polished stainless steel	1300 mm	536419
shower channel CeraWall Select polished stainless steel	1400 mm	536426
shower channel CeraWall Select polished stainless steel	1500 mm	536433

Ordering CeraWall Select:

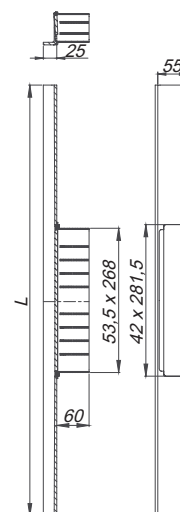
Please order drain body CeraFlex, DallFlex or shower underlay DallFlex Wall + shower channel CeraWall Select as two components.



shower channel CeraWall Select
satin stainless steel



shower channel CeraWall Select
polished stainless steel



Shower channel CeraWall Select

DALLMER shower channel CeraWall Select black matt

for installation with all drain bodies CeraFlex, DallFlex and all shower underlays DallFlex Wall. Drainage-strip with engineered precision fall, visibly installed at the junction of wall and floor. Suitable for floor finish of 10 – 24 mm and wall finish of 12 – 24 mm (including adhesive), length can be adjusted by one millimeter.

SPECIFICATION

- cover plate
- self-adhesive security tape S 3 with cut-resistant stainless steel mesh and sound insulation
- accessories for installation and positioning
- temporary blanking plate

MATERIAL

304 stainless steel, 5 mm solid, load class K 3 (300 kg), PVD coating in black matt

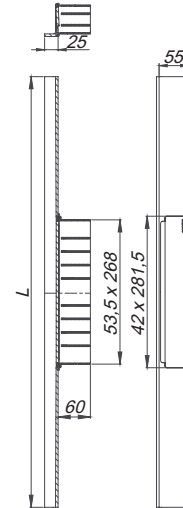
ITEM	LENGTH	PART NO.
shower channel CeraWall Select black matt	800 mm	535283
shower channel CeraWall Select black matt	900 mm	535306
shower channel CeraWall Select black matt	1000 mm	535313
shower channel CeraWall Select black matt	1100 mm	535320
shower channel CeraWall Select black matt	1200 mm	535337



reddot design award
winner 2015



shower channel CeraWall Select black matt



DALLMER shower channel CeraWall Select red gold matt

for installation with all drain bodies CeraFlex, DallFlex and all shower underlays DallFlex Wall, DallFlex Wall Plan. Drainage-strip with engineered precision fall, visibly installed at the junction of wall and floor. Suitable for floor finish of 10 – 24 mm and wall finish of 12 – 24 mm (including adhesive), length can be adjusted by one millimeter.

SPECIFICATION

- cover plate
- self-adhesive security tape S 3 with cut-resistant stainless steel mesh and sound insulation
- accessories for installation and positioning
- temporary blanking plate

MATERIAL

304 stainless steel, 5 mm solid, load class K 3 (300 kg), PVD coating in red gold matt

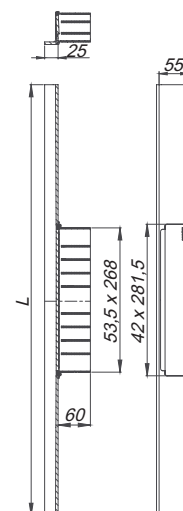
ITEM	LENGTH	PART NO.
shower channel CeraWall Select red gold matt	800 mm	535344
shower channel CeraWall Select red gold matt	900 mm	535351
shower channel CeraWall Select red gold matt	1000 mm	535368
shower channel CeraWall Select red gold matt	1100 mm	535375
shower channel CeraWall Select red gold matt	1200 mm	535382



reddot design award
winner 2015



shower channel CeraWall Select red gold matt



Ordering CeraWall Select:

Please order drain body CeraFlex, DallFlex or shower underlay DallFlex Wall + shower channel CeraWall Select as two components.

Due to the technological production possibilities, the nature of the raw material and the lighting conditions, there may be slight colour deviations in the PVD surfaces.

Shower channel CeraWall Select

DALLMER shower channel CeraWall Select brass matt

for installation with all drain bodies CeraFlex, DallFlex and all shower underlays DallFlex Wall. Drainage-strip with engineered precision fall, visibly installed at the junction of wall and floor. Suitable for floor finish of 10 – 24 mm and wall finish of 12 – 24 mm (including adhesive), length can be adjusted by one millimeter.

SPECIFICATION

- cover plate
- self-adhesive security tape S 3 with cut-resistant stainless steel mesh and sound insulation
- accessories for installation and positioning
- temporary blanking plate

MATERIAL

304 stainless steel, 5 mm solid, load class K 3 (300 kg), PVD coating in brass matt

ITEM	LENGTH	PART NO.
shower channel CeraWall Select brass matt	800 mm	535399
shower channel CeraWall Select brass matt	900 mm	535405
shower channel CeraWall Select brass matt	1000 mm	535412
shower channel CeraWall Select brass matt	1100 mm	535429
shower channel CeraWall Select brass matt	1200 mm	535436

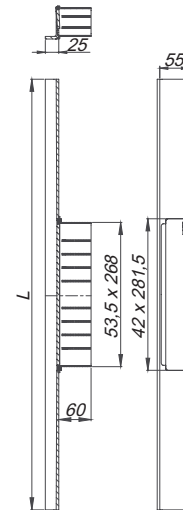
Ordering CeraWall Select:

Please order drain body CeraFlex, DallFlex or shower underlay DallFlex Wall + shower channel CeraWall Select as two components.

Due to the technological production possibilities, the nature of the raw material and the lighting conditions, there may be slight colour deviations in the PVD surfaces.



shower channel CeraWall Select brass matt



Spare parts/accessories CeraWall Select

DALLMER cover plate CeraWall Select

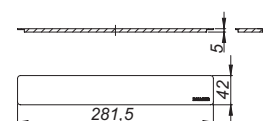
Spare part for shower channel CeraWall Select.

- ▶ cover plate CeraWall Select stainless steel matt
304 stainless steel, satin finished
- ▶ cover plate CeraWall Select stainless steel polished
304 stainless steel, mirror polished

ITEM	PART NO.
cover plate CeraWall Select stainless steel matt	535535
cover plate CeraWall Select stainless steel polished	535528



cover plate CeraWall Select



Shower channel CeraWall Select Duo

DALLMER shower channel CeraWall Select Duo satin stainless steel

for installation with all drain bodies DallFlex Duo. Drainage-strip with engineered precision fall, visibly installed at the junction of wall and floor. Suitable for floor and wall finish of 12 – 24 mm (including adhesive), length can be adjusted by one millimeter.

SPECIFICATION

- two cover plates
- self-adhesive security tape S 3 with cut-resistant stainless steel mesh and sound insulation
- accessories for installation and positioning
- temporary blanking plate with integrated level

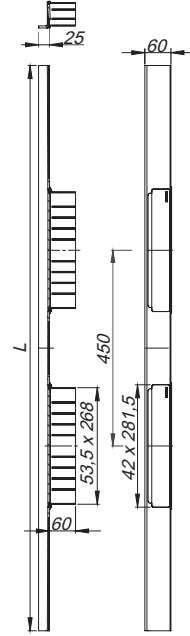
MATERIAL

304 stainless steel, satin finished

ITEM	LENGTH	PART NO.
shower channel CeraWall Select Duo satin stainless steel	1300 mm	536181
shower channel CeraWall Select Duo satin stainless steel	1400 mm	536198
shower channel CeraWall Select Duo satin stainless steel	1500 mm	536204
shower channel CeraWall Select Duo satin stainless steel	1600 mm	536211
shower channel CeraWall Select Duo satin stainless steel	1700 mm	536228
shower channel CeraWall Select Duo satin stainless steel	1800 mm	536235
shower channel CeraWall Select Duo satin stainless steel	1900 mm	536242
shower channel CeraWall Select Duo satin stainless steel	2000 mm	536259



shower channel CeraWall Select Duo
satin stainless steel



DALLMER shower channel CeraWall Select Duo polished stainless steel

for installation with all drain bodies DallFlex Duo. Drainage-strip with engineered precision fall, visibly installed at the junction of wall and floor. Suitable for floor and wall finish of 12 – 24 mm (including adhesive), length can be adjusted by one millimeter.

SPECIFICATION

- two cover plates
- self-adhesive security tape S 3 with cut-resistant stainless steel mesh and sound insulation
- accessories for installation and positioning
- temporary blanking plate with integrated level

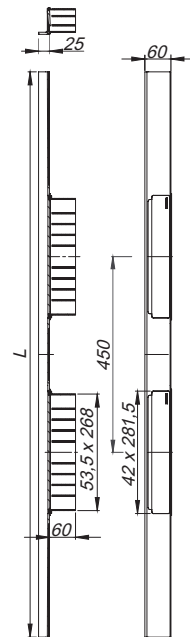
MATERIAL

304 stainless steel, mirror polished

ITEM	LENGTH	PART NO.
shower channel CeraWall Select Duo polished stainless steel	1300 mm	536105
shower channel CeraWall Select Duo polished stainless steel	1400 mm	536112
shower channel CeraWall Select Duo polished stainless steel	1500 mm	536129
shower channel CeraWall Select Duo polished stainless steel	1600 mm	536136
shower channel CeraWall Select Duo polished stainless steel	1700 mm	536143
shower channel CeraWall Select Duo polished stainless steel	1800 mm	536150
shower channel CeraWall Select Duo polished stainless steel	1900 mm	536167
shower channel CeraWall Select Duo polished stainless steel	2000 mm	536174



shower channel CeraWall Select Duo
polished stainless steel



Ordering CeraWall Select Duo:

Please order drain body DallFlex Duo + shower channel CeraWall Select Duo as two separate components.

Shower channel CeraWall Select N (natural stone)

DALLMER shower channel CeraWall Select N satin stainless steel

for installation with all drain bodies CeraFlex, DallFlex and all shower underlays DallFlex Wall. Drainage-strip with engineered precision fall, visibly installed at the junction of wall and floor. Suitable for natural stone floor and wall finish 24 – 32 mm (including adhesive), length can be adjusted by one millimeter.

SPECIFICATION

- cover plate
- self-adhesive security tape S 3 with cut-resistant stainless steel mesh and sound insulation
- accessories for installation and positioning
- temporary blanking plate

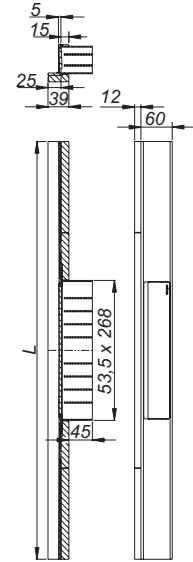
MATERIAL

304 stainless steel, 5 mm solid, satin finished, load class K 3 (300 kg)

ITEM	LENGTH	PART NO.
shower channel CeraWall Select N satin stainless steel	800 mm	536730
shower channel CeraWall Select N satin stainless steel	900 mm	536747
shower channel CeraWall Select N satin stainless steel	1000 mm	536754
shower channel CeraWall Select N satin stainless steel	1100 mm	536761
shower channel CeraWall Select N satin stainless steel	1200 mm	536778
shower channel CeraWall Select N satin stainless steel	1300 mm	536785
shower channel CeraWall Select N satin stainless steel	1400 mm	536792
shower channel CeraWall Select N satin stainless steel	1500 mm	536808



shower channel CeraWall Select N
satin stainless steel



DALLMER shower channel CeraWall Select N polished stainless steel

for installation with all drain bodies CeraFlex, DallFlex and all shower underlays DallFlex Wall. Drainage-strip with engineered precision fall, visibly installed at the junction of wall and floor. Suitable for natural stone floor and wall finish 24 – 32 mm (including adhesive), length can be adjusted by one millimeter.

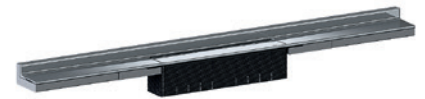
SPECIFICATION

- cover plate
- self-adhesive security tape S 3 with cut-resistant stainless steel mesh and sound insulation
- accessories for installation and positioning
- temporary blanking plate

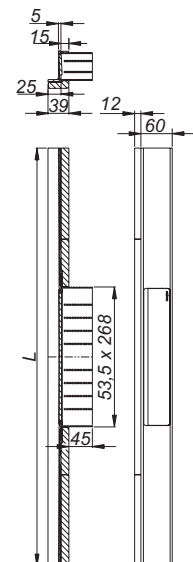
MATERIAL

304 stainless steel, 5 mm solid, mirror polished, load class K 3 (300 kg)

ITEM	LENGTH	PART NO.
shower channel CeraWall Select N polished stainless steel	800 mm	536570
shower channel CeraWall Select N polished stainless steel	900 mm	536587
shower channel CeraWall Select N polished stainless steel	1000 mm	536594
shower channel CeraWall Select N polished stainless steel	1100 mm	536600
shower channel CeraWall Select N polished stainless steel	1200 mm	536617
shower channel CeraWall Select N polished stainless steel	1300 mm	536624
shower channel CeraWall Select N polished stainless steel	1400 mm	536631
shower channel CeraWall Select N polished stainless steel	1500 mm	536648



shower channel CeraWall Select N
polished stainless steel



Ordering CeraWall Select:

Please order drain body CeraFlex, DallFlex or shower underlay DallFlex Wall + shower channel CeraWall Select N as two components.

Shower channel CeraWall Select N Duo (natural stone)

DALLMER shower channel CeraWall Select N Duo satin stainless steel

for installation with all drain bodies DallFlex Duo. Drainage-strip with engineered precision fall, visibly installed at the junction of wall and floor. Suitable for natural stone floor and wall finish 24 – 32 mm (including adhesive), length can be adjusted by one millimeter.

SPECIFICATION

- two cover plates
- self-adhesive security tape S 3 with cut-resistant stainless steel mesh and sound insulation
- accessories for installation and positioning
- temporary blanking plate with integrated level

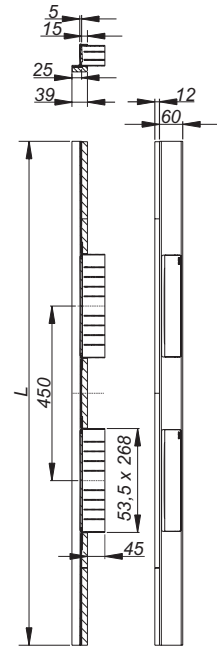
MATERIAL

304 stainless steel, satin finished

ITEM	LENGTH	PART NO.
shower channel CeraWall Select N Duo satin stainless steel	1300 mm	536815
shower channel CeraWall Select N Duo satin stainless steel	1400 mm	536822
shower channel CeraWall Select N Duo satin stainless steel	1500 mm	536839
shower channel CeraWall Select N Duo satin stainless steel	1600 mm	536846
shower channel CeraWall Select N Duo satin stainless steel	1700 mm	536853
shower channel CeraWall Select N Duo satin stainless steel	1800 mm	536860
shower channel CeraWall Select N Duo satin stainless steel	1900 mm	536877
shower channel CeraWall Select N Duo satin stainless steel	2000 mm	536884



shower channel CeraWall Select N Duo
satin stainless steel



DALLMER shower channel CeraWall Select N Duo polished stainless steel

for installation with all drain bodies DallFlex Duo. Drainage-strip with engineered precision fall, visibly installed at the junction of wall and floor. Suitable for natural stone floor and wall finish 24 – 32 mm (including adhesive), length can be adjusted by one millimeter.

SPECIFICATION

- two cover plates
- self-adhesive security tape S 3 with cut-resistant stainless steel mesh and sound insulation
- accessories for installation and positioning
- temporary blanking plate with integrated level

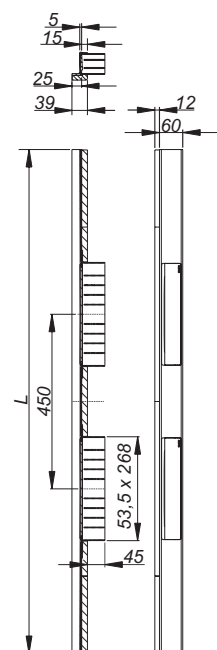
MATERIAL

304 stainless steel, mirror polished

ITEM	LENGTH	PART NO.
shower channel CeraWall Select N Duo polished stainless steel	1300 mm	536655
shower channel CeraWall Select N Duo polished stainless steel	1400 mm	536662
shower channel CeraWall Select N Duo polished stainless steel	1500 mm	536679
shower channel CeraWall Select N Duo polished stainless steel	1600 mm	536686
shower channel CeraWall Select N Duo polished stainless steel	1700 mm	536693
shower channel CeraWall Select N Duo polished stainless steel	1800 mm	536709
shower channel CeraWall Select N Duo polished stainless steel	1900 mm	536716
shower channel CeraWall Select N Duo polished stainless steel	2000 mm	536723



shower channel CeraWall Select N Duo
polished stainless steel



Ordering CeraWall Select N Duo:

Please order drain body DallFlex Duo + shower channel Cerawall Select N Duo as two separate components.

Shower channel CeraWall Individual

DALLMER shower channel CeraWall Individual

for installation with all drain bodies CeraFlex, DallFlex and all shower underlays DallFlex Wall. Concealed channel with integrated fall, for installation at the junction of wall and floor. Suitable for floor and wall finish of 12 – 24 mm (including adhesive), length can be adjusted by one millimeter.

SPECIFICATION

- self-adhesive security tape S 3 with cut-resistant stainless steel mesh and sound insulation
- accessories for installation and positioning
- scribe template
- temporary blanking plate

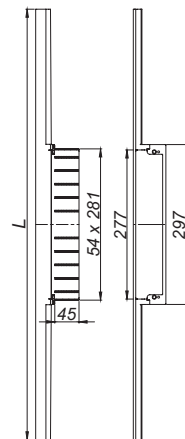
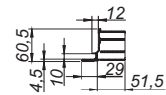
MATERIAL

304 stainless steel

ITEM	LENGTH	PART NO.
shower channel CeraWall Individual	800 mm	535269
shower channel CeraWall Individual	900 mm	535207
shower channel CeraWall Individual	1000 mm	535214
shower channel CeraWall Individual	1100 mm	535221
shower channel CeraWall Individual	1200 mm	535238
shower channel CeraWall Individual	1300 mm	536518
shower channel CeraWall Individual	1400 mm	536525
shower channel CeraWall Individual	1500 mm	536532



shower channel CeraWall Individual



DALLMER shower channel CeraWall Individual black matt

for installation with all drain bodies CeraFlex, DallFlex and all shower underlays DallFlex Wall. Concealed channel with integrated fall, for installation at the junction of wall and floor. Suitable for floor and wall finish of 12 – 24 mm (including adhesive), length can be adjusted by one millimeter.

SPECIFICATION

- self-adhesive security tape S 3 with cut-resistant stainless steel mesh and sound insulation
- accessories for installation and positioning
- scribe template
- temporary blanking plate

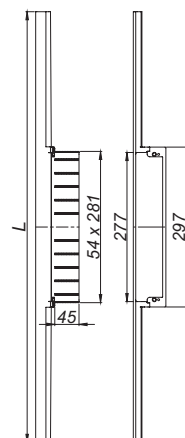
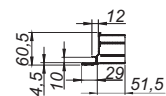
MATERIAL

304 stainless steel, PVD coating in black matt

ITEM	LENGTH	PART NO.
shower channel CeraWall Individual black matt	800 mm	535603
shower channel CeraWall Individual black matt	900 mm	535627
shower channel CeraWall Individual black matt	1000 mm	535634
shower channel CeraWall Individual black matt	1100 mm	535641
shower channel CeraWall Individual black matt	1200 mm	535658



shower channel CeraWall Individual black matt



Ordering CeraWall Individual:

Please order drain body CeraFlex, DallFlex or shower underlay DallFlex Wall + shower channel CeraWall Individual + cover plate as three components.

Due to the technological production possibilities, the nature of the raw material and the lighting conditions, there may be slight colour deviations in the PVD surfaces.

Shower channel CeraWall Individual

DALLMER shower channel CeraWall Individual red gold matt

for installation with all drain bodies CeraFlex, DallFlex and all shower underlays DallFlex Wall. Concealed channel with integrated fall, for installation at the junction of wall and floor. Suitable for floor and wall finish of 12 – 24 mm (including adhesive), length can be adjusted by one millimeter.

SPECIFICATION

- self-adhesive security tape S 3 with cut-resistant stainless steel mesh and sound insulation
- accessories for installation and positioning
- scribe template
- temporary blanking plate

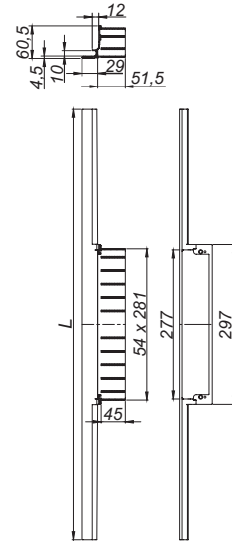
MATERIAL

304 stainless steel, PVD coating in red gold matt

ITEM	LENGTH	PART NO.
shower channel CeraWall Individual red gold matt	800 mm	536891
shower channel CeraWall Individual red gold matt	900 mm	536907
shower channel CeraWall Individual red gold matt	1000 mm	536914
shower channel CeraWall Individual red gold matt	1100 mm	536921
shower channel CeraWall Individual red gold matt	1200 mm	536938



shower channel CeraWall Individual red gold matt



DALLMER shower channel CeraWall Individual brass matt

for installation with all drain bodies CeraFlex, DallFlex and all shower underlays DallFlex Wall. Concealed channel with integrated fall, for installation at the junction of wall and floor. Suitable for floor and wall finish of 12 – 24 mm (including adhesive), length can be adjusted by one millimeter.

SPECIFICATION

- self-adhesive security tape S 3 with cut-resistant stainless steel mesh and sound insulation
- accessories for installation and positioning
- scribe template
- temporary blanking plate

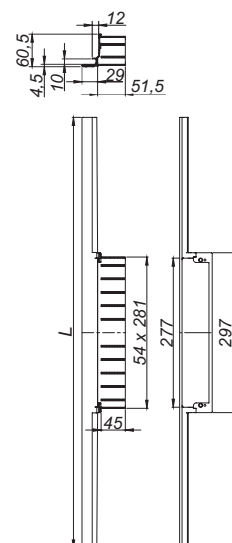
MATERIAL

304 stainless steel, PVD coating in brass matt

ITEM	LENGTH	PART NO.
shower channel CeraWall Individual brass matt	800 mm	536945
shower channel CeraWall Individual brass matt	900 mm	536952
shower channel CeraWall Individual brass matt	1000 mm	536969
shower channel CeraWall Individual brass matt	1100 mm	536976
shower channel CeraWall Individual brass matt	1200 mm	535665



shower channel CeraWall Individual brass matt



Ordering CeraWall Individual:

Please order drain body CeraFlex, DallFlex or shower underlay DallFlex Wall + shower channel CeraWall Individual + cover plate as three components.

Due to the technological production possibilities, the nature of the raw material and the lighting conditions, there may be slight colour deviations in the PVD surfaces.

Shower channel CeraWall Individual

DALLMER cover plate CeraWall Individual

cover plate for shower channel CeraWall Individual.

MATERIAL

304 stainless steel or

304 stainless steel, PVD coating in black matt, red gold matt or brass matt

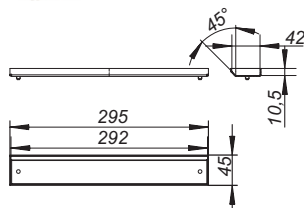
- ▶ **cover plate CeraWall Individual**
for flooring with unfinished cut edges (e.g. glazed tiles).
- ▶ **cover plate CeraWall Individual natural stone**
for flooring with polished cut edges or self-colour floor finish (e.g. natural stone, porcelain stoneware tiles).
- ▶ **cover plate CeraWall Individual Design**
all-purpose design in stainless steel design, not to be tiled.

ITEM	PART NO.
cover plate CeraWall Individual satin stainless steel	535023
cover plate CeraWall Individual black matt	537003
cover plate CeraWall Individual red gold matt	537027
cover plate CeraWall Individual brass matt	537041
cover plate CeraWall Individual natural stone	535030
cover plate CeraWall Individual Design satin stainless steel	535047
cover plate CeraWall Individual Design black matt	537010
cover plate CeraWall Individual Design red gold matt	537034
cover plate CeraWall Individual Design brass matt	537058

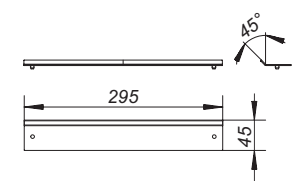
Ordering CeraWall Individual:

Please order drain body CeraFlex, DallFlex or shower underlay DallFlex Wall + shower channel CeraWall Individual + cover plate as three components.

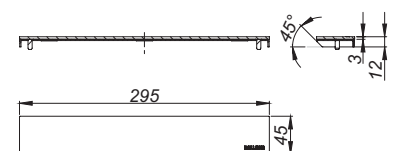
Due to the technological production possibilities, the nature of the raw material and the lighting conditions, there may be slight colour deviations in the PVD surfaces.



cover plate CeraWall Individual



cover plate CeraWall Individual natural stone



cover plate CeraWall Individual Design

Shower channel CeraWall Individual N (natural stone)

DALLMER shower channel CeraWall Individual N

for installation with all drain bodies CeraFlex, DallFlex and all shower underlays DallFlex Wall. Concealed channel with integrated fall, for installation at the junction of wall and floor. Suitable for natural stone floor and wall finish 24 – 32 mm (including adhesive), length can be adjusted by one millimeter.

SPECIFICATION

- self-adhesive security tape S 3 with cut-resistant stainless steel mesh and sound insulation
- accessories for installation and positioning
- scribe template
- temporary blanking plate

MATERIAL

304 stainless steel

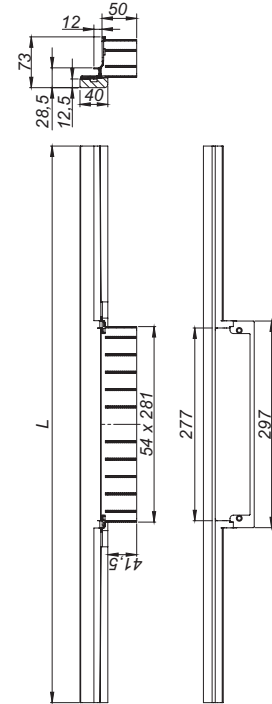
ITEM	LENGTH	PART NO.
shower channel CeraWall Individual N	800 mm	536266
shower channel CeraWall Individual N	900 mm	536273
shower channel CeraWall Individual N	1000 mm	536280
shower channel CeraWall Individual N	1100 mm	536297
shower channel CeraWall Individual N	1200 mm	536303
shower channel CeraWall Individual N	1300 mm	536495
shower channel CeraWall Individual N	1400 mm	536556
shower channel CeraWall Individual N	1500 mm	536563

Ordering CeraWall Individual N:

Please order drain body CeraFlex, DallFlex or shower underlay DallFlex Wall + shower channel CeraWall Individual N + cover plate as three components.



shower channel CeraWall Individual N



Shower channel CeraWall Individual Duo

DALLMER shower channel CeraWall Individual Duo

for installation with all drain bodies DallFlex Duo. Concealed channel with integrated fall, for installation at the junction of wall and floor. Suitable for wall and floor finish 12 to 24 mm (including adhesive), length can be adjusted by one millimeter.

SPECIFICATION

- self-adhesive security tape S 3 with cut-resistant stainless steel mesh and sound insulation
- accessories for installation and positioning
- scriber template
- temporary blanking plate

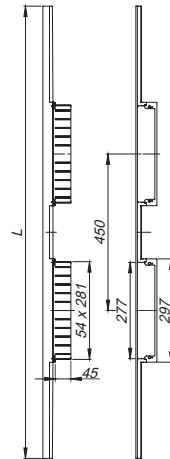
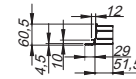
MATERIAL

304 stainless steel

ITEM	LENGTH	PART NO.
shower channel CeraWall Individual Duo	1300 mm	536020
shower channel CeraWall Individual Duo	1400 mm	536037
shower channel CeraWall Individual Duo	1500 mm	536044
shower channel CeraWall Individual Duo	1600 mm	536051
shower channel CeraWall Individual Duo	1700 mm	536068
shower channel CeraWall Individual Duo	1800 mm	536075
shower channel CeraWall Individual Duo	1900 mm	536082
shower channel CeraWall Individual Duo	2000 mm	536099



shower channel CeraWall Individual Duo



DALLMER cover plate CeraWall Individual Duo

each with two cover plates for shower channel CeraWall Individual Duo.

MATERIAL

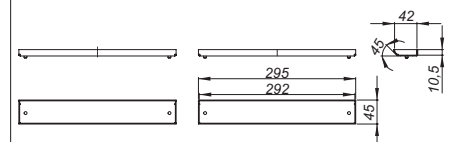
304 stainless steel

- ▶ **cover plate CeraWall Individual Duo**
for flooring with unfinished cut edges (e.g. glazed tiles).
- ▶ **cover plate CeraWall Individual Duo natural stone**
for flooring with polished cut edges or self-colour floor finish (e.g. natural stone, porcelain stoneware tiles).
- ▶ **cover plate CeraWall Individual Duo Design**
all-purpose design in stainless steel design, not to be tiled.

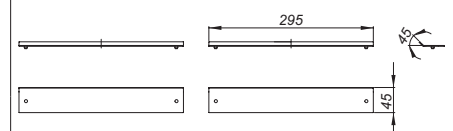
ITEM	PART NO.
cover plate CeraWall Individual Duo	535191
cover plate CeraWall Individual Duo natural stone	535184
cover plate CeraWall Individual Duo Design	535092



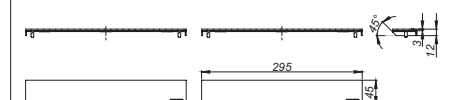
cover plate CeraWall Individual Duo



cover plate CeraWall Individual Duo natural stone



cover plate CeraWall Individual Duo Design



Ordering CeraWall Individual Duo:

Please order drain body DallFlex Duo + shower channel Individual Duo + cover plate Duo as three separate components.

Shower channel CeraWall Individual N Duo (natural stone)

DALLMER shower channel CeraWall Individual N Duo

for installation with all drain bodies DallFlex Duo. Concealed channel with integrated fall, for installation at the junction of wall and floor. Suitable for natural stone floor and wall finish 24 to 32 mm (including adhesive), length can be adjusted by one millimeter.

SPECIFICATION

- self-adhesive security tape S 3 with cut-resistant stainless steel mesh and sound insulation
- accessories for installation and positioning
- scriber template
- temporary blanking plate

MATERIAL

304 stainless steel

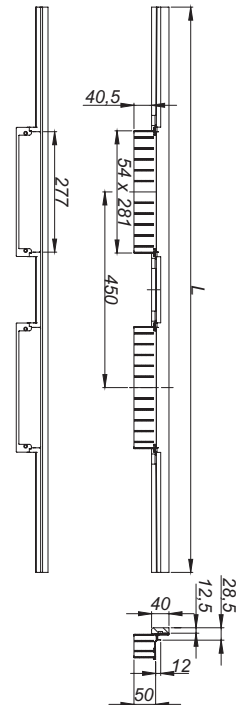
ITEM	LENGTH	PART NO.
shower channel CeraWall Individual N Duo	1300 mm	536310
shower channel CeraWall Individual N Duo	1400 mm	536327
shower channel CeraWall Individual N Duo	1500 mm	536334
shower channel CeraWall Individual N Duo	1600 mm	536341
shower channel CeraWall Individual N Duo	1700 mm	536358
shower channel CeraWall Individual N Duo	1800 mm	536365
shower channel CeraWall Individual N Duo	1900 mm	536372
shower channel CeraWall Individual N Duo	2000 mm	536389

Ordering CeraWall Individual N Duo:

Please order drain body DallFlex Duo + shower channel CeraWall Individual N Duo + cover plate CeraWall Individual Duo as three separate components.



shower channel CeraWall Individual N Duo



Shower channel CeraWall Pure

DALLMER shower channel CeraWall Pure

for installation with all drain bodies CeraFlex, DallFlex and all shower underlays DallFlex Wall. Drainage-strip with integrated fall, visibly installed at the junction of wall and floor. Suitable for floor finish of 12 – 32 mm and wall finish of 12 – 24 mm (including adhesive), length can be adjusted by one millimeter.

SPECIFICATION

- cover plate
- self-adhesive sound insulating tape
- accessories for installation and positioning
- temporary blanking plate

MATERIAL

304 stainless steel, 1.5 mm, load class K 3 (300 kg)

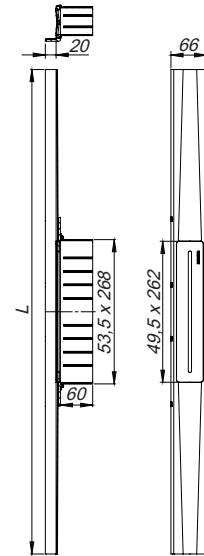
ITEM	LENGTH	PART NO.
shower channel CeraWall Pure	900 mm	538475
shower channel CeraWall Pure	1000 mm	538482
shower channel CeraWall Pure	1200 mm	538499

Ordering CeraWall Pure:

Please order drain body CeraFlex, DallFlex or shower underlay DallFlex Wall + shower channel CeraWall Pure as two components.



shower channel CeraWall Pure



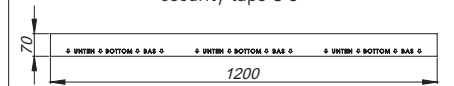
DALLMER security tape S 3

self-adhesive tape with cut-resistant stainless steel mesh

ITEM	LENGTH	PART NO.
security tape S 3	1200 mm	538505



security tape S 3



Shower channel CeraFloor Select

DALLMER shower channel CeraFloor Select, satin stainless steel

for installation with all drain bodies CeraFlex, DallFlex and all shower underlays DallFlex Floor, DallFlex Wall. Drainage Strip with engineered precision fall, flush-mounted in the shower area. Suitable for floor finish of 10 – 32 mm and wall finish of 12 – 24 mm (including adhesive), length can be adjusted by one millimeter.

SPECIFICATION

- cover plate
- accessories for installation and positioning
- temporary blanking plate

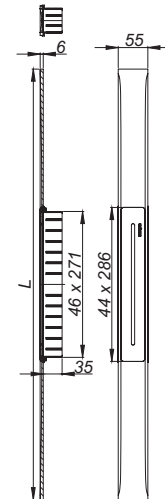
MATERIAL

304 stainless steel, 6 mm solid, satin finished, load class K 3 (300 kg)

ITEM	LENGTH	PART NO.
shower channel CeraFloor Select, satin stainless steel	800 mm	538000
shower channel CeraFloor Select, satin stainless steel	900 mm	538024
shower channel CeraFloor Select, satin stainless steel	1000 mm	538048
shower channel CeraFloor Select, satin stainless steel	1100 mm	538055
shower channel CeraFloor Select, satin stainless steel	1200 mm	538062
shower channel CeraFloor Select, satin stainless steel	1300 mm	538079
shower channel CeraFloor Select, satin stainless steel	1400 mm	538086
shower channel CeraFloor Select, satin stainless steel	1500 mm	538093



shower channel CeraFloor Select, satin stainless steel



DALLMER shower channel CeraFloor Select, polished stainless steel

for installation with all drain bodies CeraFlex, DallFlex and all shower underlays DallFlex Floor, DallFlex Wall. Drainage Strip with engineered precision fall, flush-mounted in the shower area. Suitable for floor finish of 10 – 32 mm and wall finish of 12 – 24 mm (including adhesive), length can be adjusted by one millimeter.

SPECIFICATION

- cover plate
- accessories for installation and positioning
- temporary blanking plate

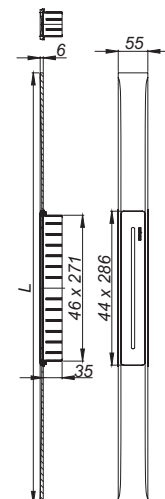
MATERIAL

304 stainless steel, 6 mm solid, mirror polished, load class K 3 (300 kg)

ITEM	LENGTH	PART NO.
shower channel CeraFloor Select, polished stainless steel	800 mm	538109
shower channel CeraFloor Select, polished stainless steel	900 mm	538123
shower channel CeraFloor Select, polished stainless steel	1000 mm	538147
shower channel CeraFloor Select, polished stainless steel	1100 mm	538154
shower channel CeraFloor Select, polished stainless steel	1200 mm	538161
shower channel CeraFloor Select, polished stainless steel	1300 mm	538178
shower channel CeraFloor Select, polished stainless steel	1400 mm	538185
shower channel CeraFloor Select, polished stainless steel	1500 mm	538192



shower channel CeraFloor Select, polished stainless steel



Ordering CeraFloor Select:

Please order drain body CeraFlex, DallFlex or shower underlay DallFlex Floor/Wall + shower channel CeraFloor Select as two components.

Shower channel CeraFloor Select

DALLMER shower channel CeraFloor Select black matt

for installation with all drain bodies CeraFlex, DallFlex and all shower underlays DallFlex Floor, DallFlex Wall. Drainage Strip with engineered precision fall, flush-mounted in the shower area. Suitable for floor finish of 10 – 32 mm and wall finish of 12 – 24 mm (including adhesive), length can be adjusted by one millimeter.

SPECIFICATION

- cover plate
- accessories for installation and positioning
- temporary blanking plate

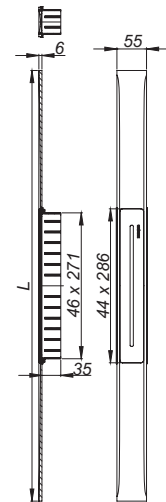
MATERIAL

304 stainless steel, 6 mm solid, load class K 3 (300 kg), PVD coating in black matt

ITEM	LENGTH	PART NO.
shower channel CeraFloor Select black matt	800 mm	538239
shower channel CeraFloor Select black matt	900 mm	538253
shower channel CeraFloor Select black matt	1000 mm	538277
shower channel CeraFloor Select black matt	1100 mm	538284
shower channel CeraFloor Select black matt	1200 mm	538291



shower channel CeraFloor Select black matt



DALLMER shower channel CeraFloor Select red gold matt

for installation with all drain bodies CeraFlex, DallFlex and all shower underlays DallFlex Floor, DallFlex Wall. Drainage Strip with engineered precision fall, flush-mounted in the shower area. Suitable for floor finish of 10 – 32 mm and wall finish of 12 – 24 mm (including adhesive), length can be adjusted by one millimeter.

SPECIFICATION

- cover plate
- accessories for installation and positioning
- temporary blanking plate

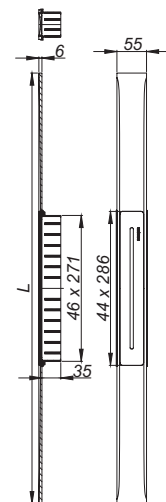
MATERIAL

304 stainless steel, 6 mm solid, load class K 3 (300 kg), PVD coating in red gold matt

ITEM	LENGTH	PART NO.
shower channel CeraFloor Select red gold matt	800 mm	538307
shower channel CeraFloor Select red gold matt	900 mm	538321
shower channel CeraFloor Select red gold matt	1000 mm	538345
shower channel CeraFloor Select red gold matt	1100 mm	538352
shower channel CeraFloor Select red gold matt	1200 mm	538369



shower channel CeraFloor Select red gold matt



Ordering CeraFloor Select:

Please order drain body CeraFlex, DallFlex or shower underlay DallFlex Floor/Wall + shower channel CeraFloor Select as two components.

Due to the technological production possibilities, the nature of the raw material and the lighting conditions, there may be slight colour deviations in the PVD surfaces.

Shower channel CeraFloor Select

DALLMER shower channel CeraFloor Select brass matt

for installation with all drain bodies CeraFlex, DallFlex and all shower underlays DallFlex Floor, DallFlex Wall. Drainage Strip with engineered precision fall, flush-mounted in the shower area. Suitable for floor finish of 10 – 32 mm and wall finish of 12 – 24 mm (including adhesive), length can be adjusted by one millimeter.

SPECIFICATION

- two cover plates
- accessories for installation and positioning
- temporary blanking plate

MATERIAL

304 stainless steel, 6 mm solid, load class K 3 (300 kg), PVD coating in brass matt

ITEM	LENGTH	PART NO.
shower channel CeraFloor Select brass matt	800 mm	538376
shower channel CeraFloor Select brass matt	900 mm	538390
shower channel CeraFloor Select brass matt	1000 mm	538413
shower channel CeraFloor Select brass matt	1100 mm	538420
shower channel CeraFloor Select brass matt	1200 mm	538437

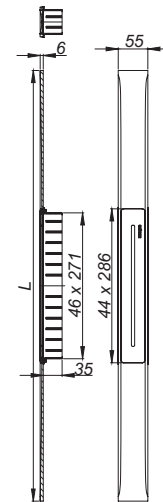
Ordering CeraFloor Select:

Please order drain body CeraFlex, DallFlex or shower underlay DallFlex Floor/Wall + shower channel CeraFloor Select as two components.

Due to the technological production possibilities, the nature of the raw material and the lighting conditions, there may be slight colour deviations in the PVD surfaces.



shower channel CeraFloor Select brass matt



Shower channel CeraFloor Select Duo

DALLMER shower channel CeraFloor Select Duo satin stainless steel

for installation with all drain bodies DallFlex Duo. Drainage Strip with engineered precision fall, flush-mounted in the shower area. Suitable for floor finish of 10 – 32 mm and wall finish of 12 – 24 mm (including adhesive), length can be adjusted by one millimeter.

SPECIFICATION

- two cover plates
- accessories for installation and positioning
- temporary blanking plate

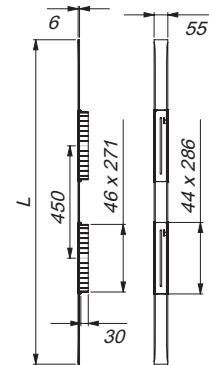
MATERIAL

304 stainless steel, 6 mm solid, satin finished, load class K 3 (300 kg)

ITEM	LENGTH	PART NO.
shower channel CeraFloor Select Duo, satin stainless steel	1300 mm	537539
shower channel CeraFloor Select Duo, satin stainless steel	1400 mm	537577
shower channel CeraFloor Select Duo, satin stainless steel	1500 mm	537584
shower channel CeraFloor Select Duo, satin stainless steel	1600 mm	537591
shower channel CeraFloor Select Duo, satin stainless steel	1700 mm	537607
shower channel CeraFloor Select Duo, satin stainless steel	1800 mm	537614
shower channel CeraFloor Select Duo, satin stainless steel	1900 mm	537621
shower channel CeraFloor Select Duo, satin stainless steel	2000 mm	537638



shower channel CeraFloor Select Duo
satin stainless steel



DALLMER shower channel CeraFloor Select Duo polished stainless steel

for installation with all drain bodies DallFlex Duo. Drainage Strip with engineered precision fall, flush-mounted in the shower area. Suitable for floor finish of 10 – 32 mm and wall finish of 12 – 24 mm (including adhesive), length can be adjusted by one millimeter.

SPECIFICATION

- two cover plates
- accessories for installation and positioning
- temporary blanking plate

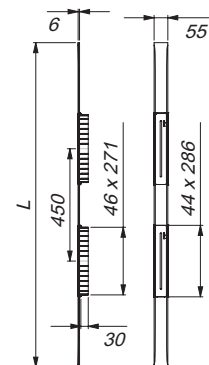
MATERIAL

304 stainless steel, 6 mm solid, mirror polished, load class K 3 (300 kg)

ITEM	LENGTH	PART NO.
shower channel CeraFloor Select, polished stainless steel	1300 mm	537447
shower channel CeraFloor Select, polished stainless steel	1400 mm	537454
shower channel CeraFloor Select, polished stainless steel	1500 mm	537461
shower channel CeraFloor Select, polished stainless steel	1600 mm	537485
shower channel CeraFloor Select, polished stainless steel	1700 mm	537492
shower channel CeraFloor Select, polished stainless steel	1800 mm	537508
shower channel CeraFloor Select, polished stainless steel	1900 mm	537515
shower channel CeraFloor Select, polished stainless steel	2000 mm	537522



shower channel CeraFloor Select Duo
polished stainless steel



Ordering CeraFloor Select Duo:

Please order drain body DallFlex Duo + shower channel CeraFloor Select Duo as two components.

Shower channel CeraFloor Select Duo

DALLMER shower channel CeraFloor Select Duo black matt

for installation with all drain bodies DallFlex Duo. Drainage Strip with engineered precision fall, flush-mounted in the shower area. Suitable for floor finish of 10 – 32 mm and wall finish of 12 – 24 mm (including adhesive), length can be adjusted by one millimeter.

SPECIFICATION

- two cover plates
- accessories for installation and positioning
- temporary blanking plate

MATERIAL

304 stainless steel, 6 mm solid, load class K 3 (300 kg), PVD coating in black matt

ITEM	LENGTH	PART NO.
shower channel CeraFloor Select Duo, black matt	1300 mm	537676
shower channel CeraFloor Select Duo, black matt	1400 mm	537683
shower channel CeraFloor Select Duo, black matt	1500 mm	537690
shower channel CeraFloor Select Duo, black matt	1600 mm	537706
shower channel CeraFloor Select Duo, black matt	1700 mm	537713
shower channel CeraFloor Select Duo, black matt	1800 mm	537720
shower channel CeraFloor Select Duo, black matt	1900 mm	537737
shower channel CeraFloor Select Duo, black matt	2000 mm	537775

Colours red gold matt + brass matt sur demand!

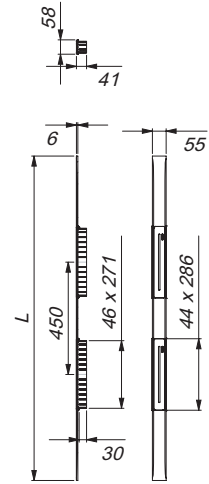
Ordering CeraFloor Select Duo:

Please order drain body DallFlex Duo + shower channel CeraFloor Select Duo as two components.

Due to the technological production possibilities, the nature of the raw material and the lighting conditions, there may be slight colour deviations in the PVD surfaces.



shower channel CeraFloor Select Duo black matt



Shower channel CeraFloor Individual

DALLMER shower channel CeraFloor Individual

for installation with all drain bodies CeraFlex, DallFlex and all shower underlays DallFlex Floor. Concealed channel with integrated fall, flush-mounted in the shower area. Suitable for floor finish of 12 – 38 mm (including adhesive), length can be adjusted by one millimeter 1500 – 800 mm.

SPECIFICATION

- accessories for installation and positioning
- temporary blanking plate

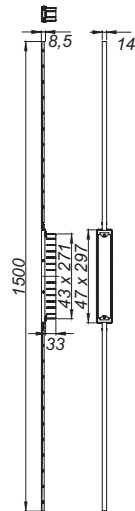
MATERIAL

304 stainless steel, load class K 3 (300 kg)

ITEM	LENGTH	PART NO.
shower channel CeraFloor Individual	800 – 1500 mm	537478



shower channel CeraFloor Individual



DALLMER shower channel CeraFloor Individual black matt

for installation with all drain bodies CeraFlex, DallFlex and all shower underlays DallFlex Floor. Concealed channel with integrated fall, flush-mounted in the shower area. Suitable for floor finish of 12 – 38 mm (including adhesive), length can be adjusted by one millimeter 1500 – 800 mm.

SPECIFICATION

- accessories for installation and positioning
- temporary blanking plate

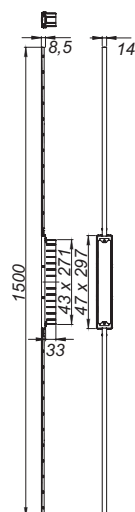
MATERIAL

304 stainless steel, load class K 3 (300 kg), PVD coating in black matt

ITEM	LENGTH	PART NO.
shower channel CeraFloor Individual black matt	800 – 1500 mm	537546



shower channel CeraFloor Individual black matt



Ordering CeraFloor Individual:

Please order drain body CeraFlex, DallFlex or shower underlay DallFlex Floor + shower channel CeraFloor Individual + cover plate CeraFloor/CeraFrame as three components.

Due to the technological production possibilities, the nature of the raw material and the lighting conditions, there may be slight colour deviations in the PVD surfaces.

Shower channel CeraFloor Individual

DALLMER shower channel CeraFloor Select red gold matt

for installation with all drain bodies CeraFlex, DallFlex and all shower underlays DallFlex Floor. Concealed channel with integrated fall, flush-mounted in the shower area. Suitable for floor finish of 12 – 38 mm (including adhesive), length can be adjusted by one millimeter 1500 – 800 mm.

SPECIFICATION

- accessories for installation and positioning
- temporary blanking plate

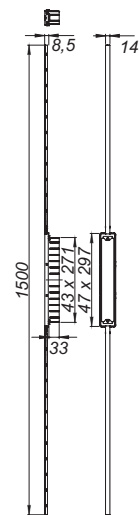
MATERIAL

304 stainless steel, load class K 3 (300 kg), PVD coating in red gold matt

ITEM	LENGTH	PART NO.
shower channel CeraFloor Select red gold matt	800 – 1500 mm	537645



shower channel CeraFloor Select red gold matt



DALLMER shower channel CeraFloor Select brass matt

for installation with all drain bodies CeraFlex, DallFlex and all shower underlays DallFlex Floor. Concealed channel with integrated fall, flush-mounted in the shower area. Suitable for floor finish of 12 – 38 mm (including adhesive), length can be adjusted by one millimeter 1500 – 800 mm.

SPECIFICATION

- accessories for installation and positioning
- temporary blanking plate

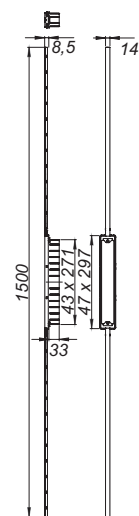
MATERIAL

304 stainless steel, load class K 3 (300 kg), PVD coating in brass matt

ITEM	LÄNGE	PART NO.
shower channel CeraFloor Select brass matt	800 – 1500 mm	537744



shower channel CeraFloor Select brass matt



Ordering CeraFloor Individual:

Please order drain body CeraFlex, DallFlex or shower underlay DallFlex Floor + shower channel CeraFloor Individual + cover plate CeraFloor/CeraFrame as three components.

Due to the technological production possibilities, the nature of the raw material and the lighting conditions, there may be slight colour deviations in the PVD surfaces.

Shower channel CeraFloor Individual

DALLMER cover plate CeraFloor/CeraFrame Individual

cover plate for shower channel CeraFloor Individual and CeraFrame Individual.

MATERIAL

304 stainless steel or

304 stainless steel, PVD coating in black matt, red gold matt or brass matt

- ▶ **cover plate CeraFloor/CeraFrame Individual**
for tiling with individual floor coverings.
- ▶ **cover plate CeraFloor/CeraFrame Individual Design**
all-purpose design in stainless steel design, not to be tiled.

ITEM	PART NO.
cover plate CeraFloor/CeraFrame Individual satin stainless steel	537379
cover plate CeraFloor/CeraFrame Individual black matt	537553
cover plate CeraFloor/CeraFrame Individual red gold matt	537652
cover plate CeraFloor/CeraFrame Individual brass matt	537751
cover plate CeraFloor/CeraFrame Individual Design satin stainless steel	537386
cover plate CeraFloor/CeraFrame Individual Design black matt	537560
cover plate CeraFloor/CeraFrame Individual Design red gold matt	537669
cover plate CeraFloor/CeraFrame Individual Design brass matt	537768

Ordering CeraFloor Individual:

Please order drain body CeraFlex, DallFlex or shower underlay DallFlex Floor + shower channel CeraFloor Individual + cover plate CeraFloor/CeraFrame Individual!

Ordering CeraFrame Individual:

Please order drain body CeraFlex, DallFlex or shower underlay DallFlex Compact + shower channel CeraFrame Individual + cover plate CeraFloor/CeraFrame Individual!

Due to the technological production possibilities, the nature of the raw material and the lighting conditions, there may be slight colour deviations in the PVD surfaces.



cover plate CeraFloor/CeraFrame Individual
satin stainless steel



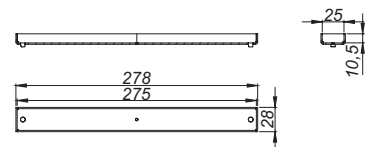
cover plate CeraFloor/CeraFrame Individual
black matt



cover plate CeraFloor/CeraFrame Individual
red gold matt



cover plate CeraFloor/CeraFrame Individual
brass matt



cover plate CeraFloor/CeraFrame Individual Design
satin stainless steel



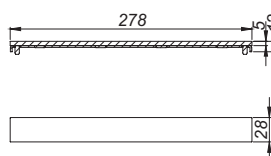
cover plate CeraFloor/CeraFrame Individual Design
black matt



cover plate CeraFloor/CeraFrame Individual Design
red gold matt



cover plate CeraFloor/CeraFrame Individual Design
brass matt



Shower channel CeraFloor Pure

DALLMER shower channel CeraFloor Pure

for installation with all drain bodies CeraFlex, DallFlex and all shower underlays DallFlex Floor, DallFlex Wall. Drainage Strip with integrated transverse fall, flush-mounted in the shower area. Suitable for floor finish of 12 – 32 mm and wall finish of 12 – 24 mm (including adhesive), length can be adjusted by one millimeter.

SPECIFICATION

- cover plate
- accessories for installation and positioning
- temporary blanking plate

MATERIAL

304 stainless steel, 1.5 mm, load class K 3 (300 kg)

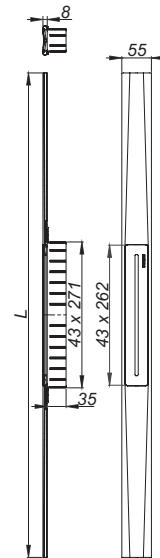
ITEM	LENGTH	PART NO.
shower channel CeraFloor Pure	900 mm	538208
shower channel CeraFloor Pure	1000 mm	538215
shower channel CeraFloor Pure	1200 mm	538222

Ordering CeraFloor Pure:

Please order drain body CeraFlex, DallFlex or shower underlay DallFlex Floor/Wall + shower channel CeraFloor Pure as two components.



shower channel CeraFloor Pure



Shower channel Zentrix

DALLMER shower channel Zentrix

for installation with all drain bodies CeraFlex, DallFlex and all shower underlays DallFlex Compact. Height adjustable 11 to 38 mm with +/- 16 mm adjustment lengthways, spigot ABS, 304 stainless steel frame, 300 x 50 mm.

- ▶ **shower channel Zentrix satin stainless steel**
grate 304 stainless steel satin finished, load class K 3 (300 kg)
- ▶ **shower channel Zentrix polished stainless steel**
grate 304 stainless steel mirror polished, load class K 3 (300 kg)
- ▶ **shower channel Zentrix black matt**
grate 304 stainless steel, PVD coating in black matt, load class K 3 (300 kg)
- ▶ **shower channel Zentrix red gold matt**
grate 304 stainless steel, PVD coating in red gold matt, load class K 3 (300 kg)
- ▶ **shower channel Zentrix brass matt**
grate 304 stainless steel, PVD coating in brass matt, load class K 3 (300 kg)

ITEM	DIMENSION	PART NO.
shower channel Zentrix satin stainless steel	300 x 50 mm	511317
shower channel Zentrix polished stainless steel	300 x 50 mm	511324
shower channel Zentrix black matt	300 x 50 mm	511331
shower channel Zentrix red gold matt	300 x 50 mm	511348
shower channel Zentrix brass matt	300 x 50 mm	511355

Ordering shower channel Zentrix:

Please order drain body CeraFlex, DallFlex or shower underlay DallFlex Compact + shower channel Zentrix as two components

Due to the technological production possibilities, the nature of the raw material and the lighting conditions, there may be slight colour deviations in the PVD surfaces.



Zentrix satin stainless steel



Zentrix polished stainless steel



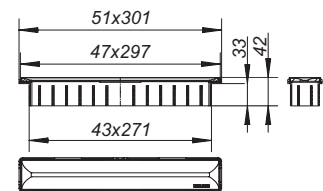
Zentrix satin black matt



Zentrix satin red gold matt



Zentrix satin brass matt



Shower channel CeraNiveau

DALLMER shower channel CeraNiveau

for installation with all drain bodies CeraFlex, DallFlex and all shower underlays DallFlex Compact. Height adjustable 11 to 38 mm with +/- 16 mm adjustment lengthways, and +/- 6 mm in lateral direction, spigot ABS, 304 stainless steel frame, 300 x 100 mm.

- ▶ **shower channel CeraNiveau satin stainless steel**
grate 304 stainless steel satin finished, load class K 3 (300 kg)
- ▶ **shower channel CeraNiveau polished stainless steel**
grate 304 stainless steel mirror polished, load class K 3 (300 kg)
- ▶ **shower channel CeraNiveau black matt**
grate 304 stainless steel, PVD coating in black matt, load class K 3 (300 kg)
- ▶ **shower channel CeraNiveau red gold matt**
grate 304 stainless steel, PVD coating in red gold matt, load class K 3 (300 kg)
- ▶ **shower channel CeraNiveau brass matt**
grate 304 stainless steel, PVD coating in brass matt, load class K 3 (300 kg)

ITEM	DIMENSION	PART NO.
shower channel CeraNiveau satin stainless steel	300 x 100 mm	511362
shower channel CeraNiveau polished stainless steel	300 x 100 mm	511379
shower channel CeraNiveau black matt	300 x 100 mm	511386
shower channel CeraNiveau red gold matt	300 x 100 mm	511058
shower channel CeraNiveau brass matt	300 x 100 mm	511065

Ordering shower channel CeraNiveau:

Please order drain body CeraFlex, DallFlex or shower underlay DallFlex Compact + shower channel CeraNiveau as two components.

Due to the technological production possibilities, the nature of the raw material and the lighting conditions, there may be slight colour deviations in the PVD surfaces.



Cera Niveau satin stainless steel



Cera Niveau polished stainless steel



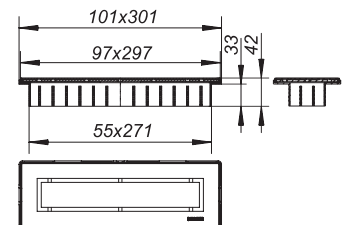
Cera Niveau black matt



Cera Niveau red gold matt



Cera Niveau brass matt



Shower channel CeraFrame Individual

DALLMER shower channel CeraFrame Individual

for installation with all drain bodies CeraFlex, DallFlex and all shower underlays DallFlex Compact. Height adjustable 12 to 38 mm, spigot ABS, 304 stainless steel frame, 300 x 50 mm.

- ▶ **shower channel CeraFrame Individual**
304 stainless steel satin finished, load class K 3 (300 kg)
- ▶ **shower channel CeraFrame Individual black matt**
304 stainless steel, PVD coating in black matt, load class K 3 (300 kg)
- ▶ **shower channel CeraFrame Individual red gold matt**
304 stainless steel, PVD coating in red gold matt, load class K 3 (300 kg)
- ▶ **shower channel CeraFrame Individual brass matt**
304 stainless steel, PVD coating in brass matt, load class K 3 (300 kg)

ITEM	DIMENSION	PART NO.
shower channel CeraFrame Individual	300 x 50 mm	537331
shower channel CeraFrame Individual black matt	300 x 50 mm	537348
shower channel CeraFrame Individual red gold matt	300 x 50 mm	537355
shower channel CeraFrame Individual brass matt	300 x 50 mm	537362

Ordering shower channel CeraFrame Individual:

Please order drain body CeraFlex, DallFlex or shower underlay DallFlex Compact + shower channel CeraFrame Individual + cover plate CeraFloor/CeraFrame Individual as three components!

Due to the technological production possibilities, the nature of the raw material and the lighting conditions, there may be slight colour deviations in the PVD surfaces.



CeraFrame Individual



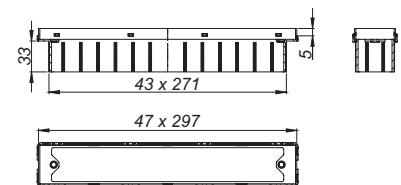
CeraFrame Individual black matt



CeraFrame Individual red gold matt



CeraFrame Individual brass matt



Shower channel CeraFrame Individual

DALLMER cover plate CeraFloor/CeraFrame Individual

cover plate for shower channel CeraFloor Individual and CeraFrame Individual.

MATERIAL

304 stainless steel or

304 stainless steel, PVD coating in black matt, red gold matt or brass matt

- ▶ **cover plate CeraFloor/CeraFrame Individual**
for tiling with individual floor coverings.
- ▶ **cover plate CeraFloor/CeraFrame Individual Design**
all-purpose design in stainless steel design, not to be tiled.

ITEM	PART NO.
cover plate CeraFloor/CeraFrame Individual satin stainless steel	537379
cover plate CeraFloor/CeraFrame Individual black matt	537553
cover plate CeraFloor/CeraFrame Individual red gold matt	537652
cover plate CeraFloor/CeraFrame Individual brass matt	537751
cover plate CeraFloor/CeraFrame Individual Design satin stainless steel	537386
cover plate CeraFloor/CeraFrame Individual Design black matt	537560
cover plate CeraFloor/CeraFrame Individual Design red gold matt	537669
cover plate CeraFloor/CeraFrame Individual Design brass matt	537768

Ordering CeraFloor Individual:

Please order drain body CeraFlex, DallFlex or shower underlay DallFlex Floor + shower channel CeraFloor Individual + cover plate CeraFloor/CeraFrame Individual!

Ordering CeraFrame Individual:

Please order drain body CeraFlex, DallFlex or shower underlay DallFlex Compact + shower channel CeraFrame Individual + cover plate CeraFloor/CeraFrame Individual!

Due to the technological production possibilities, the nature of the raw material and the lighting conditions, there may be slight colour deviations in the PVD surfaces.



cover plate CeraFloor/CeraFrame Individual
satin stainless steel



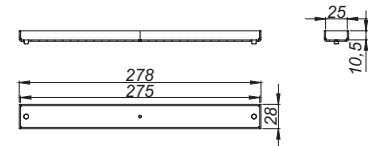
cover plate CeraFloor/CeraFrame Individual
black matt



cover plate CeraFloor/CeraFrame Individual
red gold matt



cover plate CeraFloor/CeraFrame Individual
brass matt



cover plate CeraFloor/CeraFrame Individual Design
satin stainless steel



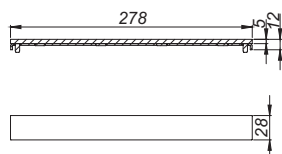
cover plate CeraFloor/CeraFrame Individual Design
black matt



cover plate CeraFloor/CeraFrame Individual Design
red gold matt



cover plate CeraFloor/CeraFrame Individual Design
brass matt



Shower channel CeraFrame Liquid

DALLMER shower channel CeraFrame Liquid

for installation with all drain bodies DallFlex, DallFlex Plan, CeraFlex and CeraFlex Plan in trowelled jointless thin-layer floor coatings of selected manufacturers. Suitable for coatings with total construction height of 4.5 mm incl. waterproofing.

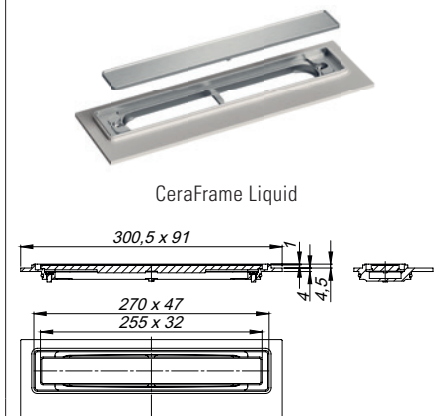
SPECIFICATION

- coatable cover plate 255 x 32 mm
- two-level troweling aid
- temporary blanking plate

MATERIAL

304 stainless steel, 300 x 91 mm, 8 mm solid, frame 270 x 47 mm, load class K 3 (300 kg)

ITEM	DIMENSION	PART NO.
shower channel CeraFrame Liquid	270 x 47 mm	537393



DALLMER shower channel CeraFrame Liquid vertical

for installation with all drain bodies DallFlex vertical and CeraFlex vertical in trowelled jointless thin-layer floor coatings of selected manufacturers. Suitable for coatings with total construction height of 4.5 mm incl. waterproofing.

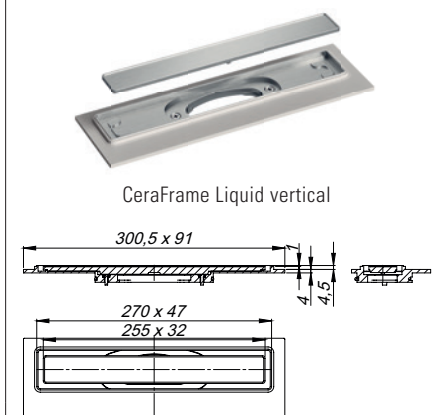
SPECIFICATION

- coatable cover plate 255 x 32 mm
- two-level troweling aid
- temporary blanking plate

MATERIAL

304 stainless steel, 300 x 91 mm, 8 mm solid, frame 270 x 47 mm, load class K 3 (300 kg)

ITEM	DIMENSION	PART NO.
shower channel CeraFrame Liquid vertical	270 x 47 mm	537409



Ordering CeraFrame Liquid:

Please order drain body DallFlex or CeraFlex + shower channel CeraFrame Liquid!

Ordering CeraFrame Liquid vertical:

Please order drain body DallFlex vertical or CeraFlex vertical + shower channel CeraFrame Liquid vertical!

Note:

The thin-layer trowel system must be suitable and tested for use on waterproofing according to DIN 18534 in level access showers. The manufacturer's instructions must be followed during the application.

Service

Our products at a glance

Help for planning and installation

Discover our diverse drainage systems and get an overview of our product categories on our website dallmer.com

Planners, architects and installation technicians can visit dallmer.com/service for useful tools and documents which provide them with support during the entire process, from planning to installation.



Installation instructions



DXF drawings



Data sheets



BIM – building information modelling



System sections



Configurator

The Dallmer Sessions online. video. live.



If you are abreast of the state-of-the-art of drainage technologies, changes to standards and directives, and current bathroom trends, you have a clear advantage which you can pass on to your customers. Dallmer's training opportunities now make it even easier to keep up to date.

For more information and current scheduled events, visit dallmer.com/sessions

10-year warranty*

A promise which we are happy for you to pass on to your customers.

Dallmer GmbH + Co. KG
Wiebelsheidestraße 25
59757 Arnsberg
Germany

T +49 2932 9616-0
F +49 2932 9616-222
E info@dallmer.de
W dallmer.com

DW20059 / 02/2024_PDF
WEEE-Reg.-Nr. DE 98946358